



SENTINEL position indicators

made from stainless steel or cast iron

Types

Mechanical

- OPEN and CLOSED display
- for normal safety requirements

Electrical

- mechanical display & electrical limit switch
- position indication can be read both on the position indicator itself and in a control centre
- for high safety requirements

Electrical with pipe monitoring

- mechanical display & electrical limit switch & pipe monitoring
- position indication can be read both on the position indicator itself and in a control centre in addition, a pipe monitoring system is integrated in the position indicator unit housing to indicate faults in the signal lines
- for highest safety requirements

Material

- Coated spheroidal cast iron IP67*/IP68
- Stainless steel A2 IP67*/IP68
- Stainless steel A4 IP67*/IP68

(*electrical version with standard switches)

The stainless steel version has an orange adjustment ring on the top of the housing. The position indicator is set to the closed position of the fitting by the customer with this setting ring.

Rotation & Display ranges

Turns/stroke for 360° pointer rotation:

- 0-20
- 0-60
- 0-360
- 0-900

Connections**

- Parallel 25 x 25 mm
- Shaft Ø 30 mm

(**reduction with adapter possible)

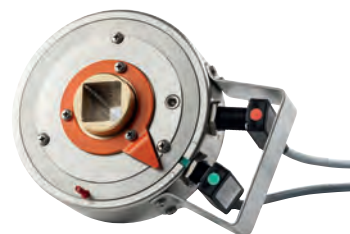
Individual sizes are available on request.



Typ with electrical switches



Typ with adjustment ring



SENTINEL position indicator made of stainless steel



SENTINEL position indicator made of stainless steel



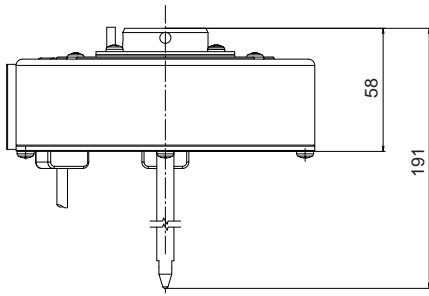
SENTINEL position indicator made of coated spheroidal cast iron



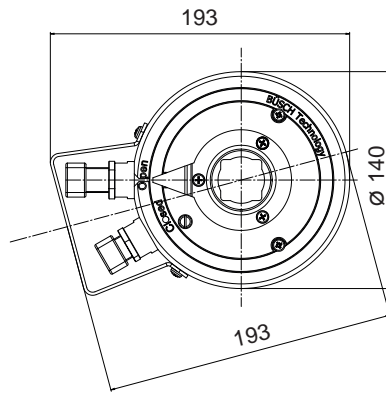
YOUR ADVANTAGES

- **SAFE WORKING**
by displaying the current opening position of a valve
- **OPERATIONAL SAFETY**
Support for the professional operation of a water or gas network, especially for system-relevant valves
- **MONITORING AND STANDBY PROTECTION**
of large and difficult to access networks including connection to a control centre as well as preservation of evidence for insurance coverage

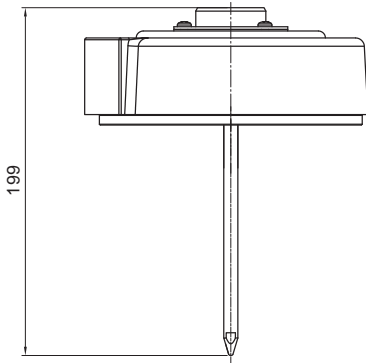
Dimensional drawings



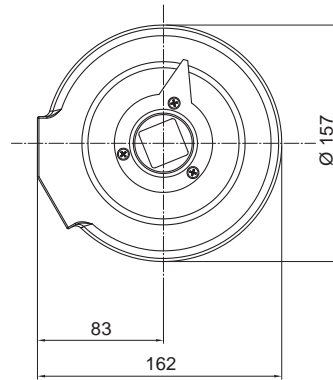
SENTNEL electric position indicator side view



SENTNEL electric position indicator top view

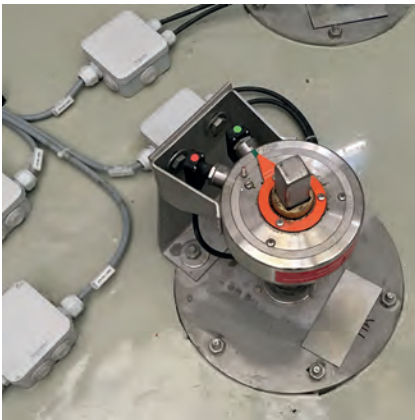


SENTNEL mechanical position indicator side view



SENTNEL mechanical position indicator top view

Application examples



Electric position indicator made of stainless steel in a drinking water system



Electric position indicators made of stainless steel in a drinking water system



Mechanical position indicator made of coated spheroidal cast iron with integrated flange and stainless steel setting ring



SENTINEL position indicator also available with adapter for direct installation on gate valves

SENTINEL POSITION INDICATORS

EASY, INSTALLED QUICKLY, STRAIGHTFORWARD

EASY AND QUICK INSTALLATION OF THE POSITION INDICATOR ON THE GATE VALVES.

Material adapter:

- Hot dip galvanized ST37 (S235JR) or epoxy coated
- Stainless steel 1.4301 (SS304) or 1.4404 (SS316L)



Gate valve



Gate valve with adapter



Gate valve with adapter, **SENTINEL** and handwheel

SENTINEL
electrical



Material: stainless steel or ductile iron

SENTINEL
mechanical



YOUR ADVANTAGES

- **ABSOLUTELY FLEXIBLE**
Whether the gate valve is still in stock or already installed in the pipelines, it can be easily equipped with the SENTINEL position indicator at any time!
- **SIMPLE AND AFFORDABLE**
With the help of the adapter, the SENTINEL position indicator is quickly mounted on the gate valve.

i