



Levelling stone

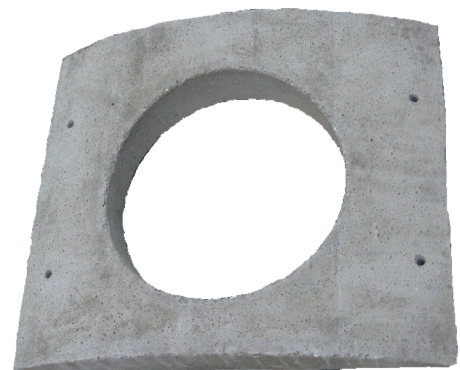
FOR MOUNTING PENSTOCKS INTO A ROUND SHAFT

Size

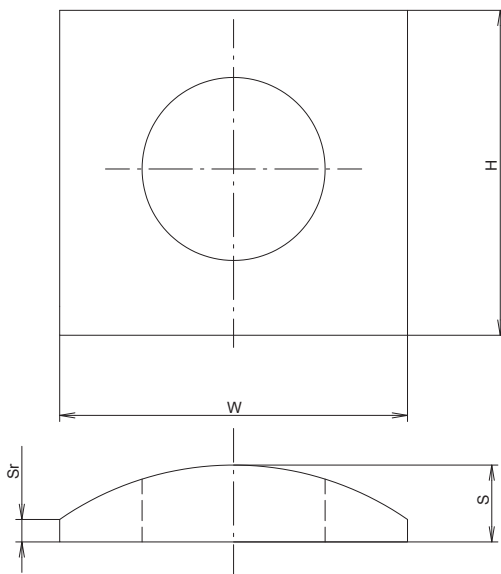
- SAFOX® DN 150 to 1000
- XL4 150 × 150 to 1200 × 1200 mm
- XL4-semicircular DN 150 to 1000
- CP4 150 × 150 to 1200 × 1200 mm
- CP4-semicircular DN 150 to 600
- For all chamber sizes DN 1000, 1200, 1500, 2000
- Further dimensions available on request

Scope of delivery

- Required glue is included



Levelling stone



Dimensional drawing levelling stone



YOUR ADVANTAGES

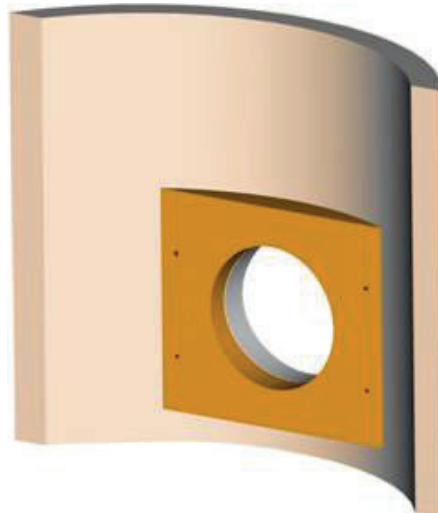
- **OPTIMAL ASSEMBLY**
The levelling stone can be fastened quickly and easily in the shaft, the stone is additionally fixed by the chemical compound anchors of the penstock
- **SAVE COSTS**
No expensive concrete work or special penstock designs necessary



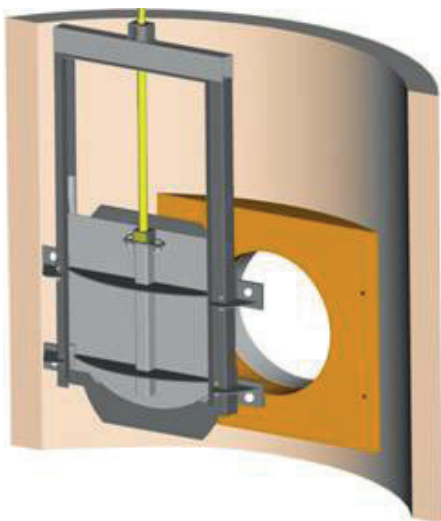
Schematic diagram assembly



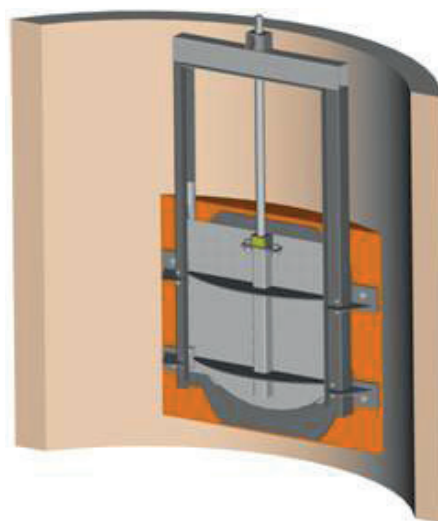
Prepare the shaft wall



Fix segment stone with sewage-resistant adhesive or sealant in front of the wall opening



Place penstock in front of it and drill anchor holes



Screw the penstock tight

Drawings and dimensions on request.