



## Wall adapter

made of stainless steel or steel hot-dip galvanized

FOR FASTENING A PENSTOCK TO A CONCRETE WALL

### Opening size

- DN 150 to DN 600

### Material body

- Stainless steel 1.4301 (304) / 1.4404 (316L) / A36-hot-dip galvanized

### Material plate

- Stainless steel 1.4301 (304) / 1.4404 (316L)

### Mounting

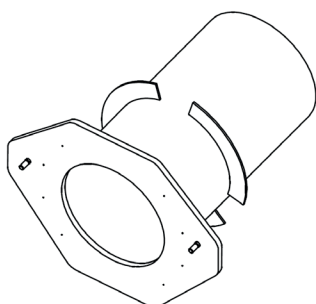
- For dowelling on a concrete wall
- For embedding in concrete



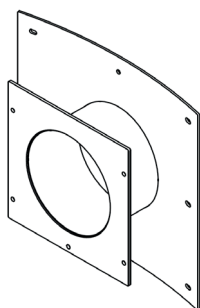
Wall adapter with mounted SAFOX® penstock



Wall adapter for embedding in concrete



Wall adapter for embedding in concrete



Wall adapter for dowelling

### YOUR ADVANTAGES

#### • IDEAL SEALING SURFACE

In round shafts for dowelling and for flanged penstocks for setting in concrete

#### • PERFECTLY FITTING

Individually manufactured according to customer specifications of penstock size and manhole diameter

