



Bevel gearbox

made of stainless steel

Product description	F10	F14	
Type of gearbox	Bevel gearbox/Angular gear		
Mounting position	any position		
Temperature range	-40° to +80° C		
Degree of protection of enclosure	IP68++ up to 8 m water column (permanently waterproof)		
Corrosion protection	Housing: 1.4409 (316L)	Housing: 1.4409 (316L)	
	Hollow shaft: 1.4301 (304)	Hollow shaft: 1.4057 (431)	
	Drive shaft: 1.4057 (431)	Drive shaft: 1.4057 (431)	
Direction of rotation	Clockwise rotation at the input shaft results in clockwise rotation at the output		
Model	For rising or non-rising spindle		
Covering	Standard: powder-coated, ATEX: Housing uncoated, cover A4	Standard: powder-coated, optional: uncoated	
Colour	BÜSCH orange (RAL 2004)		
Weight	9.8 kg	21.5 kg	
Connection input	F10 according to EN ISO 5210 suitable for motor and manual actuation by handwheel/crank	F10/F14 according to EN ISO 5210	
	Standard cylindrical Ø 20 mm with fitting key according to DIN 6885.1	Standard cylindrical Ø 30 mm with fitting key according to DIN 6885.1	
Connection output	B1	B1 (Ø 42 mm, with fitting key 12 mm) standard	B1 (Ø 60 mm, with fitting key 18 mm) standard
	Bx	Connector with square 25.7 mm	
	Form A	For screw socket Ø max. 40 mm, for axial force max. 70 kN	For screw socket Ø max. 60 mm, for axial force max. 160 kN
	Further connections and sockets available on request		
Reduction gear ratio	i = 1:1 or 2:1	i = 2:1, i = 2,8:1 or i = 4:1	



Bevel gearbox F10 with shaft connection



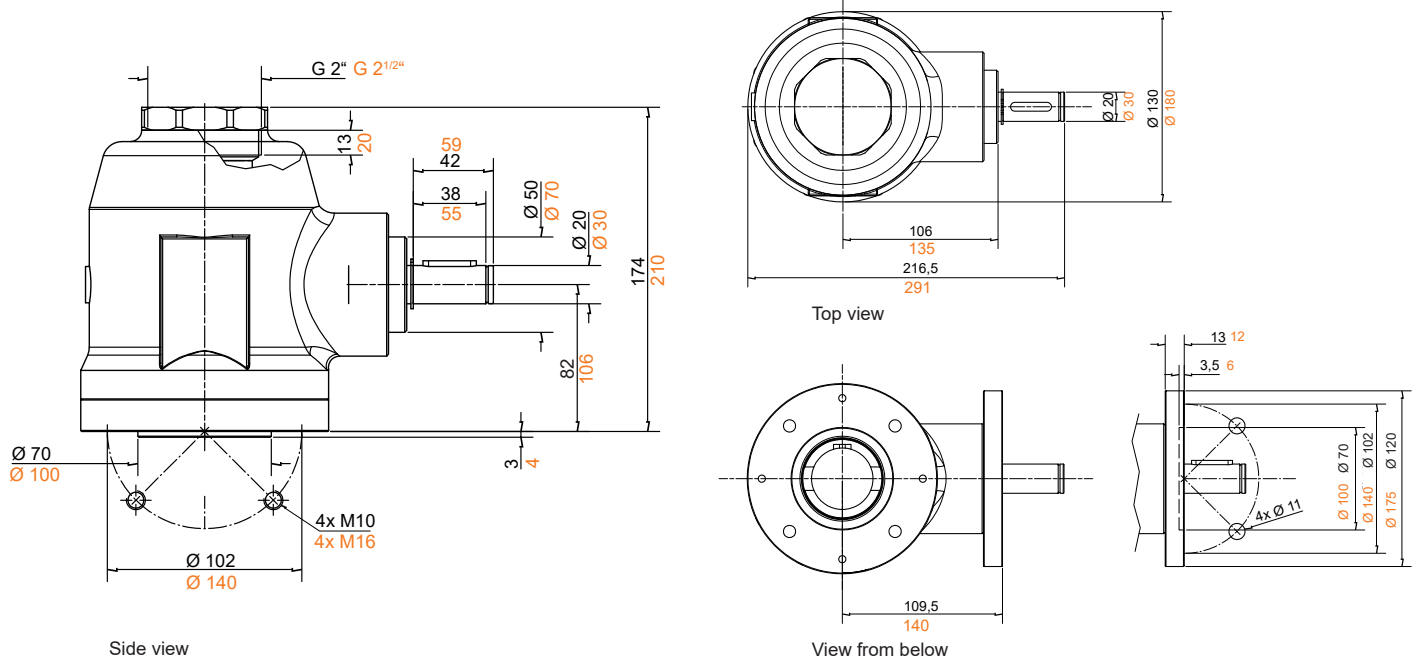
Bevel gearbox F10 with e-actuator driving flange

YOUR ADVANTAGES

- Rustproof - made of stainless steel
- Durable
- Maintenance free
- Waterproof
- Suitable for drinking water
- In combination with our output type a permanently submersible

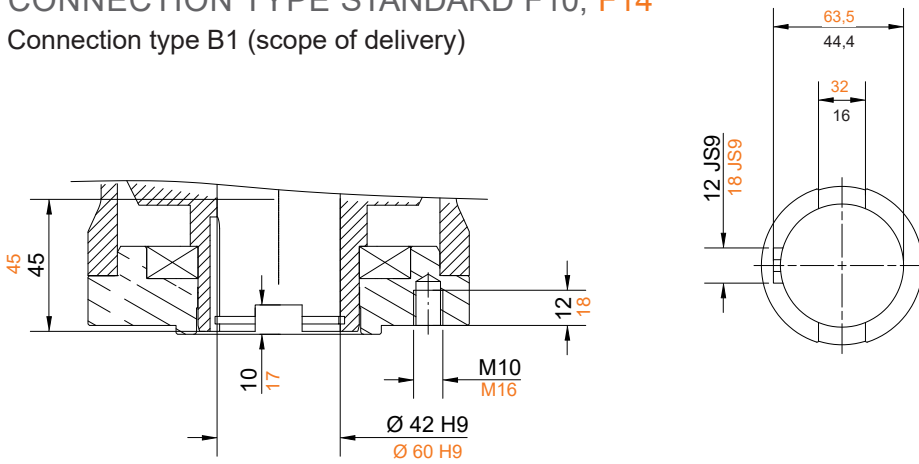
Penstock connection	Driving torque		Reduction gear ratio	Input torque		Factor	Hand wheel Ø max.	Fitting AUMA gear	Weight allowance at gear max. kg
	Nominal moment max. Nm	Norm max. Nm		Nominal moment max. Nm	Norm moment max. Nm				
F10	120	60	1:1	134	66	0,9	300	SA (R) 10.2/ SA (R) 14.2	40/80
			2:1	67	33	1,8	200	SA (R) 7.5/ SA (R) 10.2	40
F14	250	120	2:1	139	66	1,8	300	SA (R) 10.2/ SA (R) 14.2	40/80
			2,8:1	100	48	2,5	300	SA (R) 10.2	40
			4:1	69	33	3,6	200	SA (R) 10.2	40
			2:1	277	111	1,8	400	SA (R) 14.2	80
	500	200	2,8:1	198	80	2,5	400	SA (R) 14.2	80
			4:1	139	55	3,6	300	SA (R) 10.2/ SA (R) 14.2	40/80
			2:1	500	222	1,8	500	SA (R) 14.6	80
			2,8:1	398	160	2,5	500	SA (R) 14.6	80
1000	400	4:1	278	111	3,6	500	SA (R) 14.6	80	

EXTERNAL DIMENSIONS F10, F14



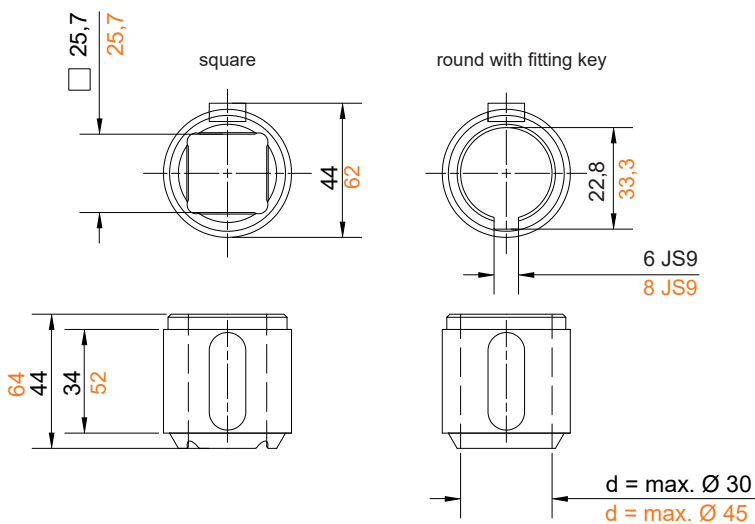
CONNECTION TYPE STANDARD F10, F14

Connection type B1 (scope of delivery)



CONNECTION TYPES ACCESSORIES F10, F14

Connection type B3 sockets



Connection type A suitable for axial forces

