



Wall ducts

made of stainless steel or steel hot-dip galvanized

FOR AN EASY MOUNTING OF PENSTOCKS

Overall lengths

- DN 80-600 (wall closing) at wall thickness 150-500 mm

Variants

- F-connector (with or without threaded sleeves)
- FF-connector (with or without threaded sleeves)
- Wall duct with puddle flange for embedding

Flange drilling

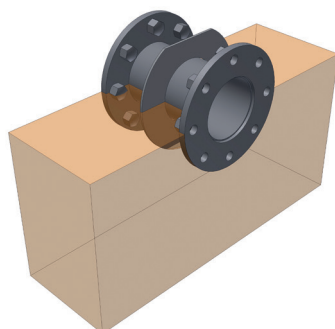
- According to PN10

Material

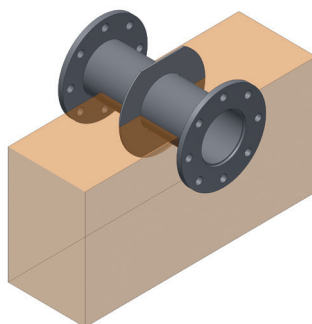
- 1.4301 (304) / 1.4462 (316LN) / 1.4571 (316Ti) / A36-hot-dip galvanized
- Other materials and sizes on request



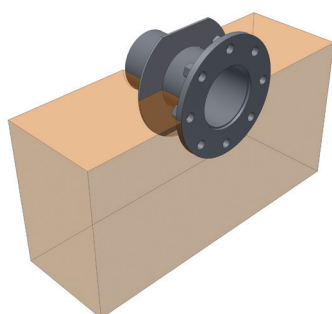
Wall duct DN 200



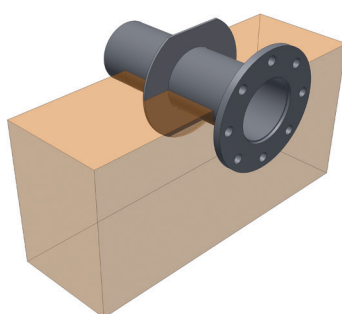
FF-connector with puddle flange and threaded sleeves



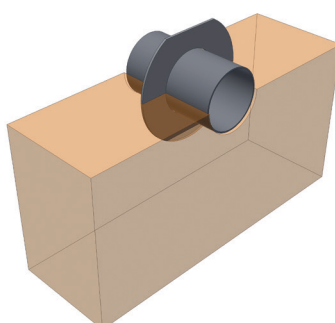
FF-connector with puddle flange



F-connector with puddle flange and threaded sleeves



F-connector with puddle flange



Wall duct with puddle flange

- EASY HANDLING
- For easy assembling of penstocks