



Channel flap

made of stainless steel

CHANNEL FLAP WITH RECTANGULAR OPENING, THREE-SIDED SEAL, CENTRALLY POSITIONED

Nominal size

- Nominal size 200 x 200 mm bis 1000 x 1000 mm, is designed with central pivot point
- Nominal size larger than 1000 x 1000 mm up to 2000 x 2000 mm with one-sided pivot point

Channel flap

- Overall height is smaller than the channel depth, the flap does not protrude above the upper edge of the channel (the ability to drive over the channel depends on the actuator type/size)

Material

- 1.4301 (304) / 1.4404 (316L) / 1.4410 (507) / 1.4462 (318LN) / 1.4539 (904L) / 1.4571 (316Ti)

Tightness class

- Leakage rate to DIN EN 19569, Part 4, Table 1:
Pressure at rear: 0,05 to 1,0 l·s⁻¹·m⁻¹ (tightness class 3)

Channel flap mounting options

- Dowelling into the channel
- Dowelling into the side of the channel and concreting into the bottom
- For concreting into the prepared channel recess

Channel flap actuated by

- Handwheel with gear unit
- BÜSCH All-in-one operating key via square stem cap
- BÜSCH MOBITORQ electric or accu mobile actuators via square stem cap
- BEAservo stainless steel electric actuator mounted on transverse yoke
Optional: with BÜSCH weather protection roof

Scope of supply

- Channel flap complete with all required fastening elements (dowels and sealing material)



Channel flap in open condition



Channel flap in closed condition

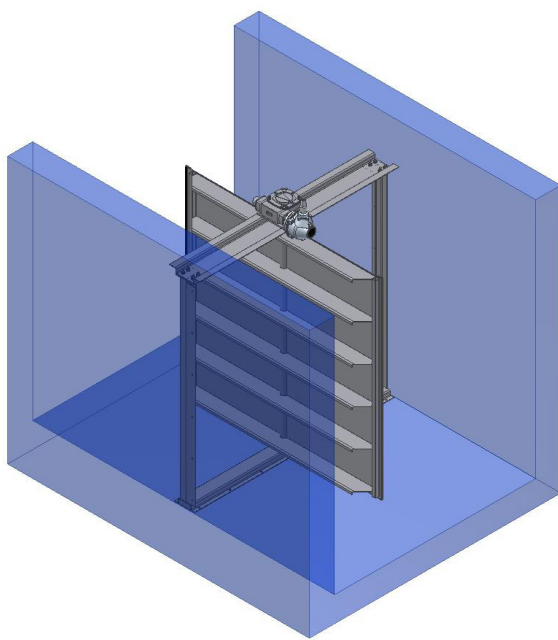
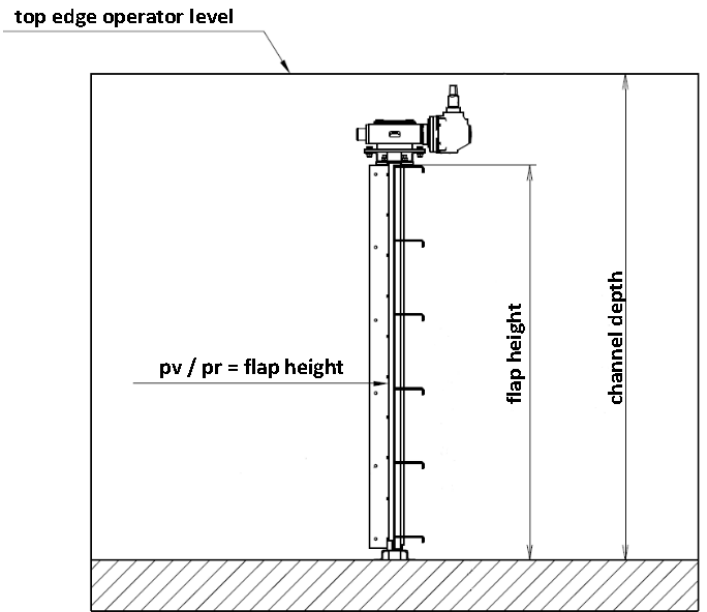
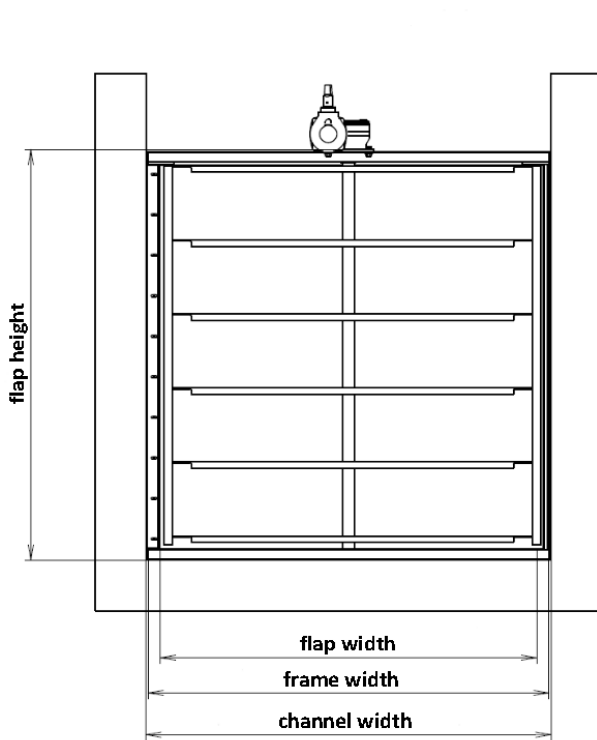
i

YOUR ADVANTAGES

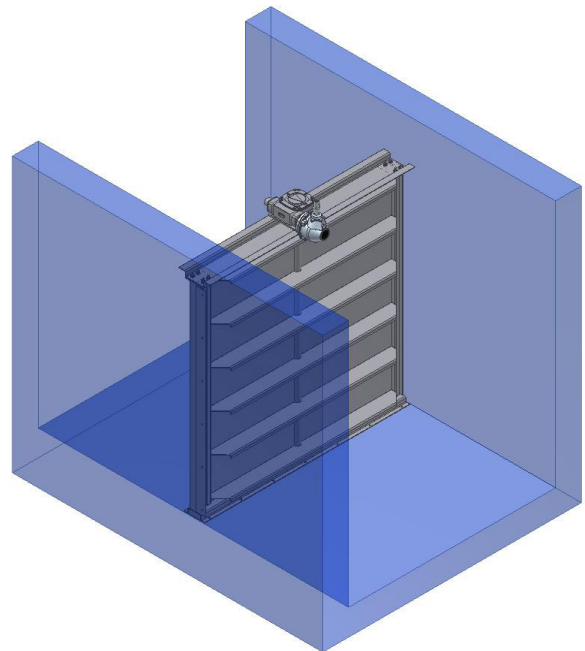
- **DOES NOT PROTRUDE ABOVE THE CHANNEL**
Can be placed under grates, high space gain
- **FLOW BLOCKING**
Flap as shut-off device for open channels and flumes
- **DURABLE**
Exchangeable wear parts and sealing (EPDM or NBR)
- **FACTORY CERTIFICATE**
Channel flap including works certificate according to DIN EN 10204, 2.1, with information on the leakage rate according to DIN 19569, part 4
- **PERFECT CORROSION PROTECTION**
All welded stainless steel parts from our own pickling plant



Dimensional drawings



Channel flap in open condition



Channel flap in closed condition