



## Application example of a headstock mounted on shaft ceiling

### Modular Actuation System MAS

- For operation with handwheel or e-actuator
- For up to 450 Nm torque
- With stem square connection 25 x 25 mm

#### 1. Hand wheel

#### 2. Headstock (optionally with integrated display)

#### 3. Telescopic spindle extension

Individual actuation situations can be solved with telescopic spindle extensions. We can therefore offer you an optimal drive solution for every complex drive situation.

#### 4. Wall bracket with storage

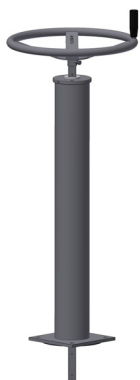
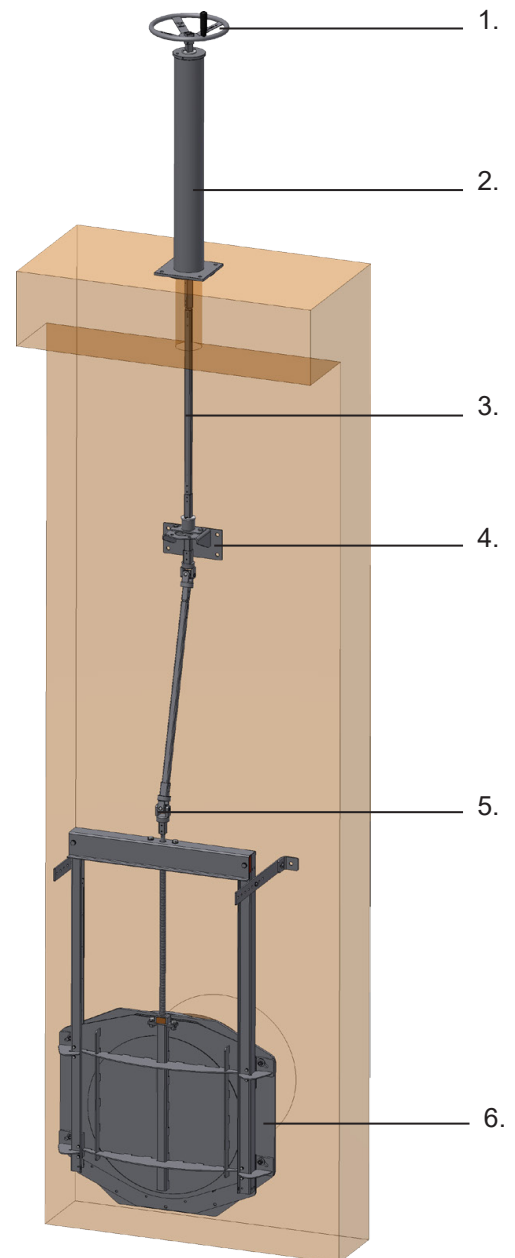
For dowelling to the shaft wall, with a variable wall distance of 80-400 or 80-900 mm, for a torque of up to 450 Nm. This wall bracket with adjustable wall distance enables ideal installation of your actuation, also as an intermediate storage or actuation linkage.

#### 5. Ball joint

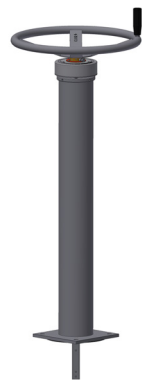
Durable universal ball joints for drive linkages offer the perfect adaptation to the situation on site.

#### 6. Penstock

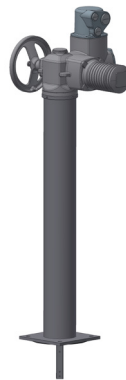
Optionally: Penstock, gate valve, butterfly valve, ball valve



with handwheel



with handwheel  
and position indicator



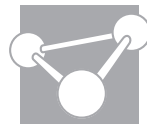
with e-actuator



### YOUR ADVANTAGES

#### • CUSTOMIZED SOLUTIONS

Every individual actuation situation can be solved by combining spindle extensions and assemblies from the BÜSCH MAS range. For information on other assemblies and material options, please refer to our MAS program.



## Application example of a projecting bracket headstock

### Modular Actuation System MAS

- For an ergonomic operation of your projected installed valve at the edge of the basin
- For up to 500 Nm torque
- With adjustable wall clearance and spindle guiding
- Adjustable wall distance 45-800 mm

#### 1. Hand wheel

#### 2. Telescopic spindle extension

Individual actuating situations are combinable through the use of telescopic spindle extensions. We are happy to advise you on the optimal actuation of your valves in complex configurations.

#### 3. Wall bearing

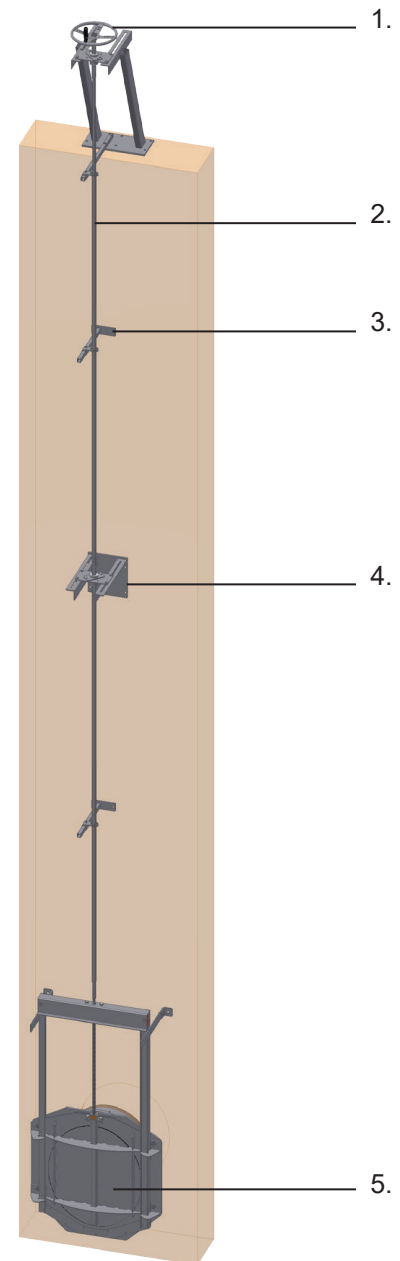
This wall bearing with guiding, adjustable from 45-200, 45-400 or 45-800 mm enables the ideal installation of the spindle extension.

#### 4. Wall bracket

For dowel mounting on the basin wall. For up to 500 Nm torque. For intermediate or actuator bearing with wall distance of 80-400 or 80-900 mm. Application from an installation depth < 6 m.

#### 5. Penstock

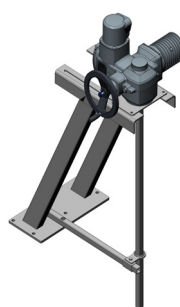
Optionally: Penstock, butterfly valve, ball valve



with handwheel



with handwheel  
and position indicator



with e-actuator



### YOUR ADVANTAGES

#### • CUSTOMIZED SOLUTIONS

Every individual actuation situation can be solved by combining spindle extensions and assemblies from the BÜSCH MAS range. For information on other assemblies and material options, please refer to our MAS program.