



## Bracket headstock

made of stainless steel or hot-dip galvanized steel

Modular Actuation System MAS

### Variants

- Up to 500 Nm
- Up to 1000 Nm

### Material

- 1.4301 (304) / 1.4571 (316Ti) / A36-hot-dip galvanized

### Actuation

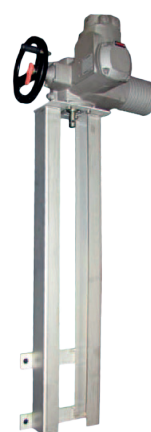
- Handwheel  
Optional: Stainless steel handwheel
- E-actuator with flange F10, F14 or F16  
Optional: BEAservo stainless steel e-actuator

### Scope of delivery

- Bracket headstock complete with all necessary fastening elements



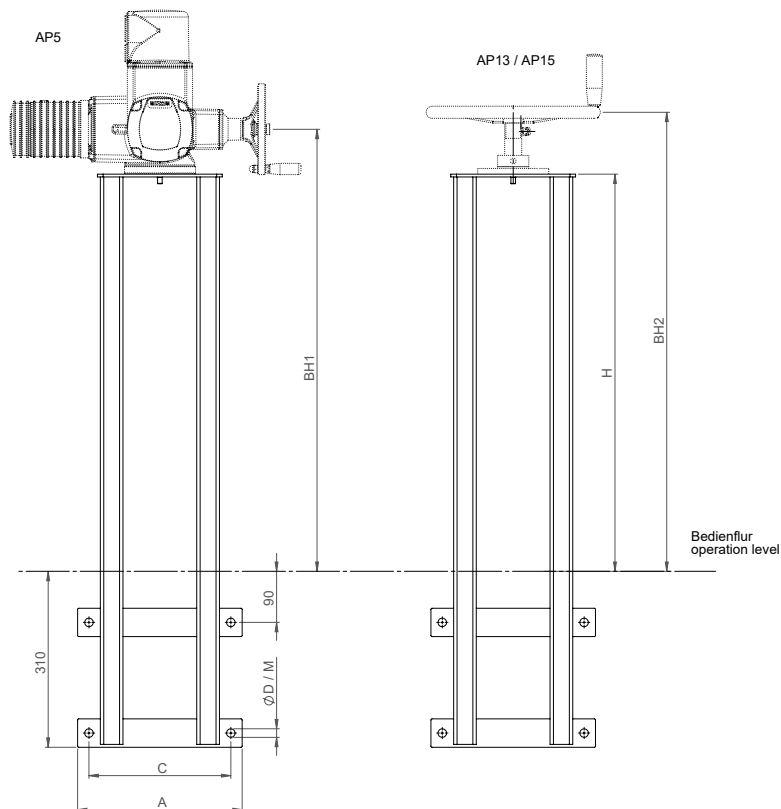
Bracket headstock made of stainless steel



Application example with assembled e-actuator

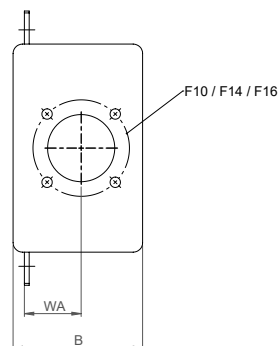


Application example with assembled handwheel



Dimensional drawing bracket headstock for e-actuator

Dimensional drawing bracket headstock for handwheel



## YOUR ADVANTAGES

- **ADAPTABLE**  
For setting up a handwheel or e-actuator