

Handwheel made of stainless steel

Modular Actuation System MAS

Connectivity

- Cylindrical square connection
- Conical square connection
- Connection to shaft and feather key
- Connection for rising spindle

Direction indicator

- Engraved direction of actuation

Optional

- Available with ball handle

Handwheel with cylindrical square connection

a (mm)	d (mm)
□ 16 × 16	300
	400
□ 25 × 25	300
	400
	500
	600
□ 26 × 26	400
	500
	600

Handwheel with conical square connection

a (mm)	d (mm)
□ 14 × 14	200
	300
□ 17 × 17	200
	300
□ 19 × 19	300
□ 24 × 24	400
□ 27 × 27	400
	500

Handwheel with shaft connection and keyway

a (mm)	d (mm)
∅ 20	400
∅ 30	400
	500
	650

Handwheel for rising spindle

a (mm)	d (mm)
∅ 38	300
	400
	500



Cylindrical square connection



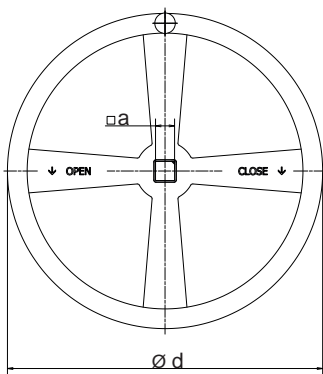
Conical square connection



Connection for rising spindle



Conical square connection with ball handle



Dimensions Handwheel (a and d)

YOUR ADVANTAGES

- **THE RIGHT SOLUTION FOR EVERY SITUATION**
For many connection options
- **OPTIMAL SUPPORT WITH WORK-RELATED STRAIN**
For ergonomic operation of the pen-stock





Handwheel coated

Modular Actuation System MAS

Connectivity

- Cylindrical square connection
- Conical square connection
- Connection to shaft and feather key

Durable

- By epoxy coating

Optional

- Available with ball handle

Handwheel with cylindrical square connection

a (mm)	d (mm)
□ 16 × 16	250
	300
□ 25 × 25	300
	400
	500

Handwheel with conical square connection

a (mm)	d (mm)
□ 14 × 14	200
□ 17 × 17	250
□ 19 × 19	300
□ 24 × 24	400
□ 27 × 27	500
	600



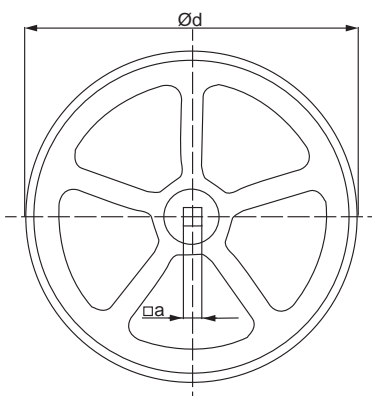
Cylindrical square connection



Connection to shaft and feather key

Handwheel with shaft connection and keyway

a (mm)	d (mm)
∅ 20	400
∅ 30	400
	500
	650



Dimensions handwheel (a and d)



Square connection with ball handle

YOUR ADVANTAGES

- **THE RIGHT SOLUTION FOR EVERY SITUATION**
For many connection options
- **OPTIMAL SUPPORT WITH WORK-RELATED STRAIN**
For ergonomic operation of the pen-stock

