



Headstock 120/450 Nm

made of stainless steel or steel

Modular Actuation System MAS

Variants

- Designed for 120 Nm
- Designed for 450 Nm (Accessories required when converting from handwheel to e-actuator - included in the scope of delivery when ordering for e-actuator)

Material

- Stainless steel 1.4301 (304) / 1.4404 (316L) / A36-hot-dip galvanized

Actuation

Handwheel

Optional: Stainless steel handwheel

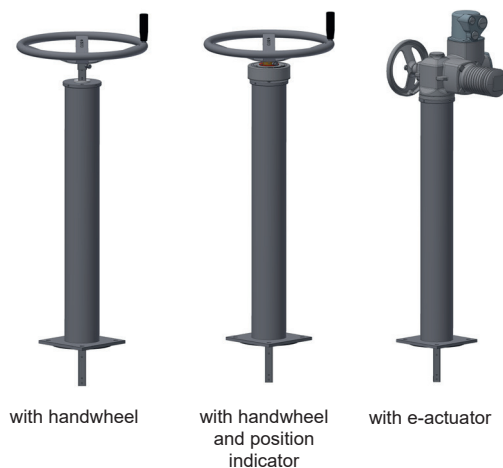
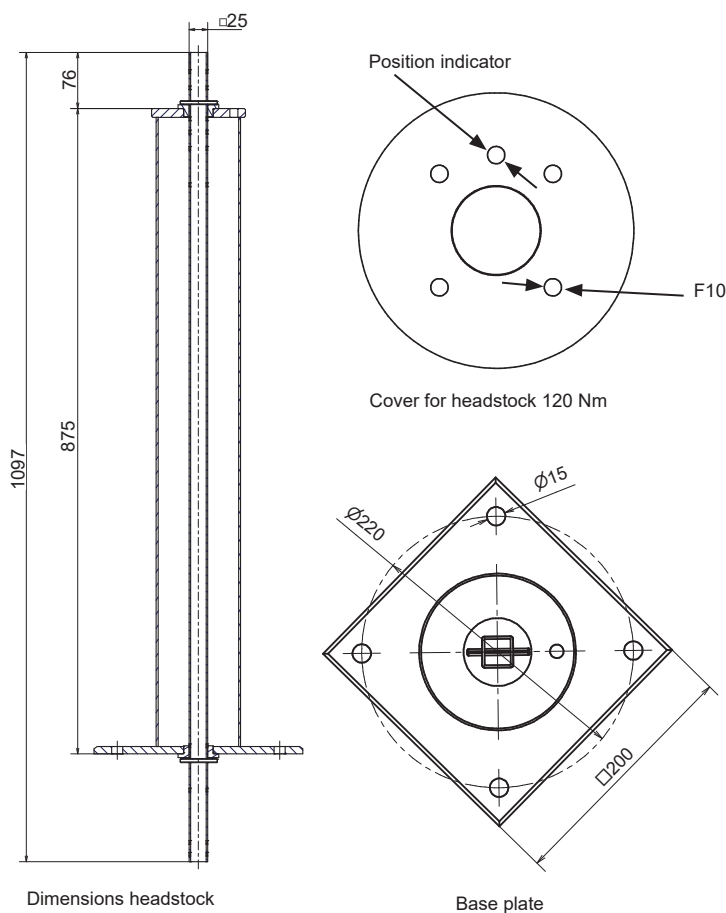
- Handwheel with SENTINEL position indicator
Optional: Stainless steel handwheel and position indicator from stainless steel
- E-actuator (120 respectively 450 Nm) with flange F10, F14
Optional: BEA®servo stainless steel e-actuator

Scope of delivery

- With stem square connection 25 × 25 mm above and below
- Prepared for the construction of a SENTINEL position indicator
- Headstock complete with all necessary fastening elements



Headstock 120 Nm



with handwheel

with handwheel and position indicator

with e-actuator

YOUR ADVANTAGES

- **SMOOTH**
Due to maintenance-free plain bearings
- **OPTIMAL SUPPORT WITH WORK-RELATED STRESS**
For ergonomic operation of the penstock



Projecting bracket headstock

Modular Actuation System MAS

Variants

- Designed for 120 Nm
- Designed for 450 Nm (Accessories required when converting from hand-wheel to e-actuator - included in the scope of delivery when ordering for e-actuator)

Material

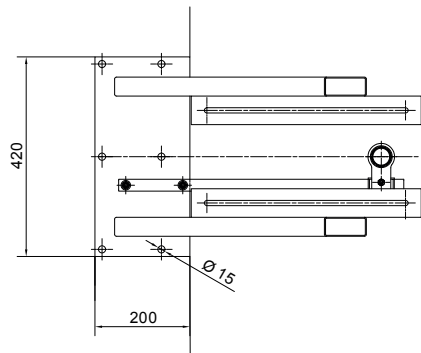
- Stainless steel 1.4301 (304) / 1.4404 (316L) / A36-hot-dip galvanized

Actuation

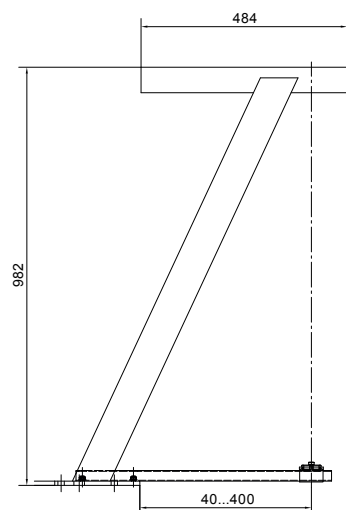
- Handwheel
 - Optional: Stainless steel handwheel
- Handwheel with SENTINEL position indicator
 - Optional: Stainless steel handwheel and position indicator from stainless steel
- E-actuator (120 respectively 450 Nm) with flange F10, F14
 - Optional: BEA[®]servo stainless steel e-actuator

Scope of delivery

- With stem square connection 25 × 25 mm above and below
- Prepared for the construction of a SENTINEL position indicator
- Projecting bracket headstock complete with all necessary fastening elements



Dimensions projecting bracket headstock top view



Dimensions projecting bracket headstock side view



with handwheel

with handwheel
and position
indicator

with e-actuator

YOUR ADVANTAGES

- **ADAPTABLE**
With adjustable wall clearance and adjustable spindle guide
- **OPTIMAL SUPPORT WITH WORK-RELATED STRESS**
For ergonomic operation of the pen-stock