



## Universal joint 500/1000 Nm

Modular Actuation System MAS

### Connections freely combinable

- 500 Nm parallel square: 25, 30, 35
- 1000 Nm parallel square: 30, 35, 25, 30, 35
- Round shaft with fitting key or cross pin
- Other connections and dimensions available on request

### Torque

- Up to 500 Nm and 1000 Nm - at 30° deflection

### Weight

- 500 Nm ~ 4,0 kg
- 1000 Nm ~ 7,3 kg

### Material

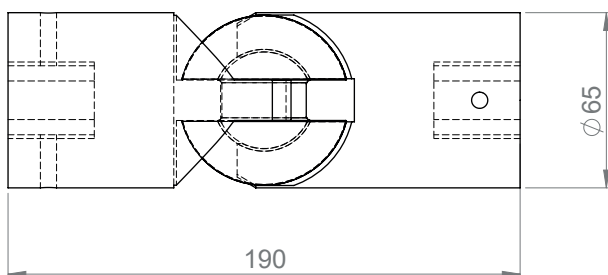
- Stainless steel 1.4301 (304) / 1.4404 (316L)
- Other materials on request

### Material Ball

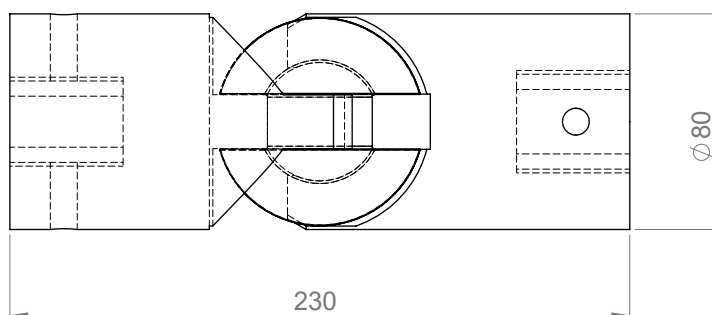
- Seawater resistant bronze GC-CuSn 12



Universal joint 500 Nm



Dimensional drawing universal joint 500 Nm



Dimensional drawing universal joint 1000 Nm

### YOUR ADVANTAGES

- **MAINTENANCE FREE**  
Always ready for use, robust and maintenance-free with a rubber protective cover
- **FOR OPTIMAL ADAPTATION**  
of actuation rods depending on the installation situation
- **FLEXIBLE AREAS OF APPLICATION**  
The design allows use in drinking water and waste water areas

i