

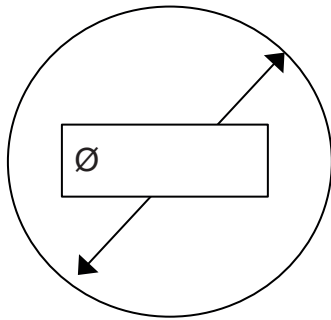
Request form - flap valve

Customer: _____ Address: _____

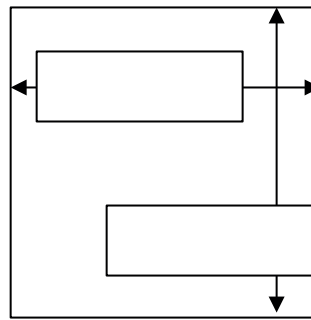
Project: _____ No of flap valves: _____

1. Size and shape of the opening

round



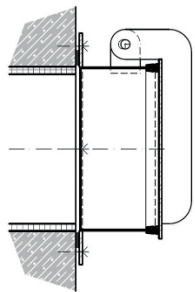
rectangular



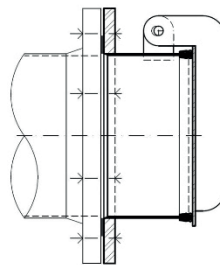
Please give all dimensions in mm

2. Installation

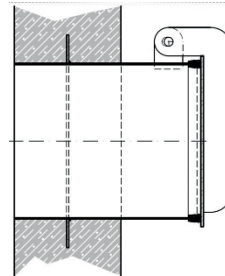
for dowelling



Connection to a flange



for embedding



PN10 PN16

Supply fasteners (chem anchors/screws for flange)

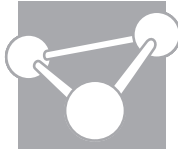
3. Materials

Flap valve:

- Stainless steel 1.4301
- Stainless steel 1.4404
- Steel hot dip galvanized
- Other: _____

Sealing:

- EPDM
- NBR
- Other: _____

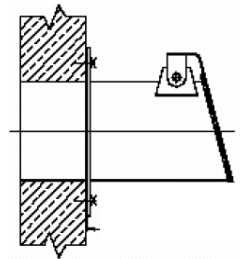
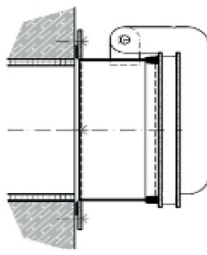
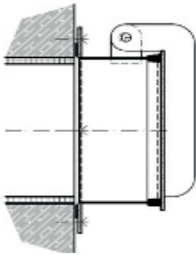


4. Counterweighth

- Counterweight above, so to open at a low internal pressure
- Counterweight below, so to open at a stronger internal pressure
- The flap valve should open at a differential pressure of _____ mwc

5. Cover

- flat cover
- floating hollow cover
- angled cover, angle 15°
desired angle: _____



6. Features

- End stop damper, rubber dampened
- End stop damper, hydraulic, oil/water dampened (preferably with pump flaps)
- other: _____

Remarks:

Telephon/E-Mail (for inquiry calls):