



## Levelling stone

FOR MOUNTING PENSTOCKS INTO A ROUND SHAFT

### Size

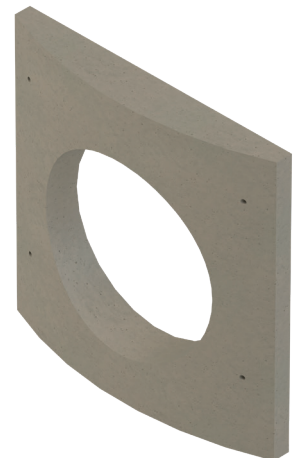
- |   |                             |
|---|-----------------------------|
| • SAFOX penstock                          | DN 150 to 1000              |
| • XL4 penstock                            | 150 × 150 to 1200 × 1200 mm |
| • XL4 penstock with round base            | DN 150 to 1000              |
| • CP4 penstock                            | 150 × 150 to 1200 × 1200 mm |
| • CP4 penstock with round base            | DN 150 to 600               |
| • For all chamber sizes                   | DN 1000, 1200, 1500, 2000   |
| • Further dimensions available on request |                             |

### Scope of delivery

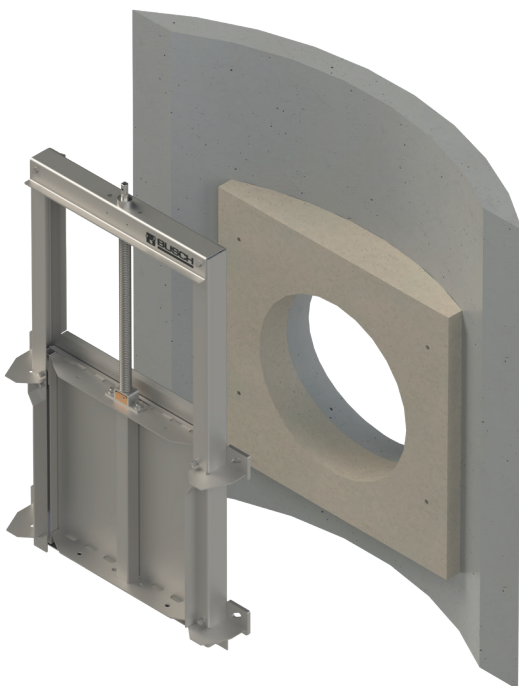
- Required glue is included



Levelling stone with round base



Levelling stone with a square base



Levelling stone with a square base and a rectangular penstock

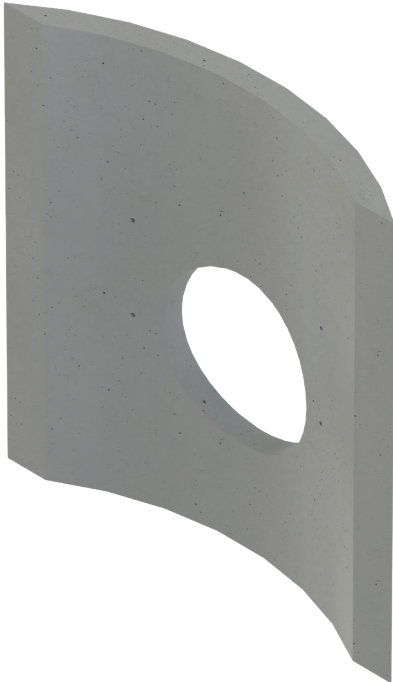


### YOUR ADVANTAGES

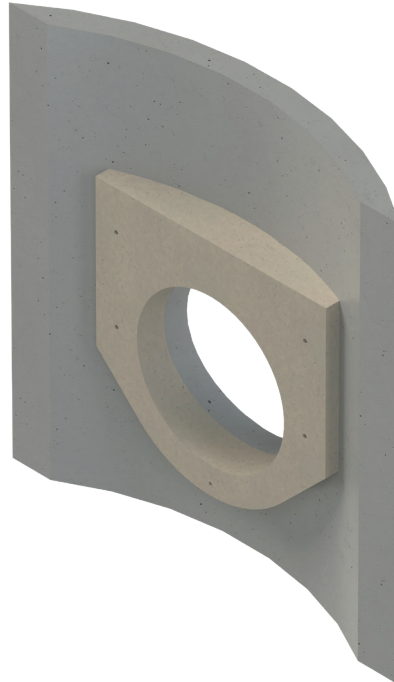
- **OPTIMAL ASSEMBLY**  
The levelling stone can be fastened quickly and easily in the shaft, the stone is additionally fixed by the chemical compound anchors of the penstock
- **SAVE COSTS**  
No expensive concrete work or special penstock designs necessary



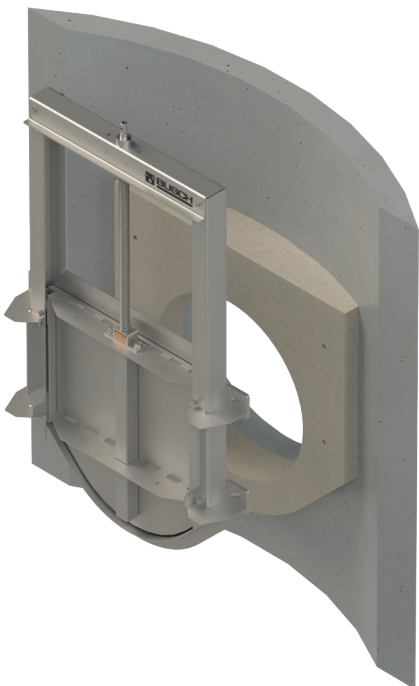
Schematic diagram assembly



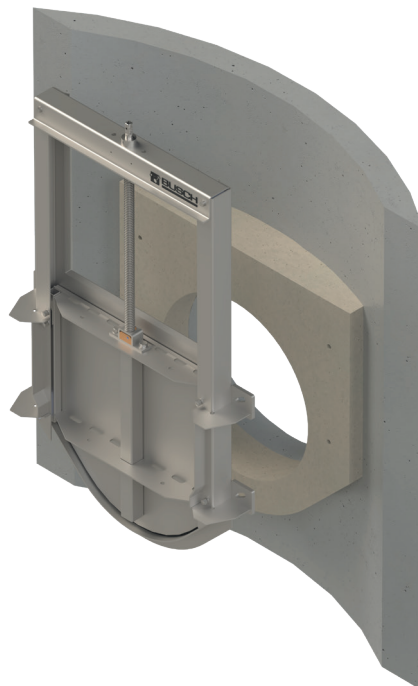
Prepare the shaft wall



Fix segment stone with sewage-resistant adhesive or sealant in front of the wall opening



Place penstock in front of it and drill anchor holes



Screw the penstock tight

Drawings and dimensions on request.