



## Scale

for position indication of penstocks with rising spindle

### Material

- Stainless steel 1.4301 (304)

### Length

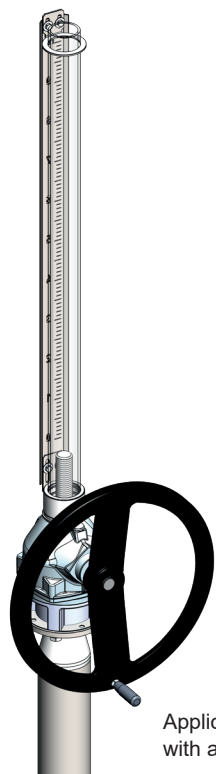
- Depending on the penstock stroke ( $L = \text{stroke} + 245 \text{ mm}$ )
  - With markings in decimetres at 100 mm intervals

### Suitable for

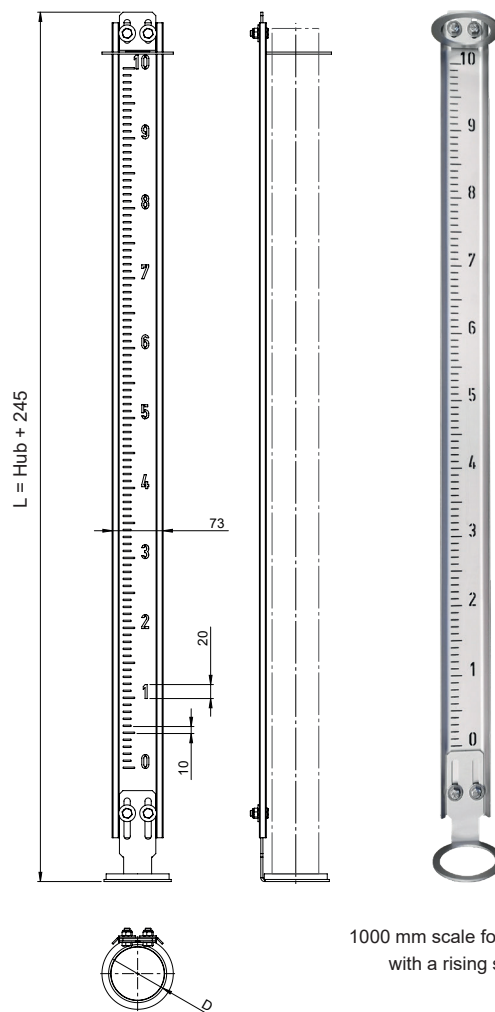
- BÜSCH penstock with rising spindle:
  - SAFOX penstock
  - XL4 penstock
  - CP4 penstock
  - XL3 channel penstock
  - CP3 channel penstock
  - Double gate penstock
  - Telescopic valve
- BÜSCH MAS actuation packages with rising spindle:
  - Actuation package 15
  - Actuation package 16
  - Actuation package 20
  - Actuation package 22

### Installation situation

- A transparent protective tube (polycarbonate) is required for use of the scale
- Subsequent installation of the transparent protective tube or the scale is possible at any time (adapters included in the scope of supply accordingly)



Application example: Use in a actuation package 22 with a transparent protective tube



1000 mm scale for penstocks with a rising spindle

**i**

### YOUR ADVANTAGES

- **PRECISE POSITION INDICATION**  
Direct on-site reading of open, closed and intermediate positions
- **DIRECT POSITION DISPLAY**  
No conversion based on turns or spindle pitch required
- **DURABLE AND CORROSION-RESISTANT**  
Robust design for a long-lasting solution, as an alternative to adhesive scales

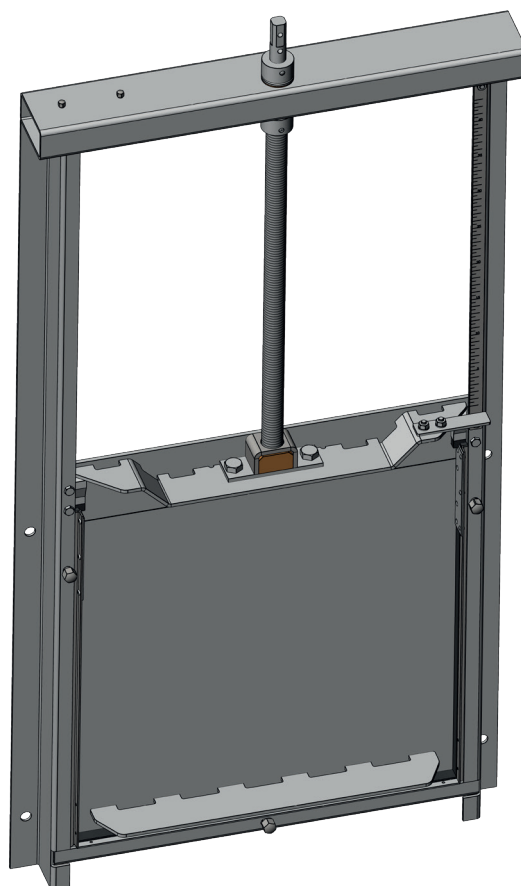


## Scale – integrated into the frame

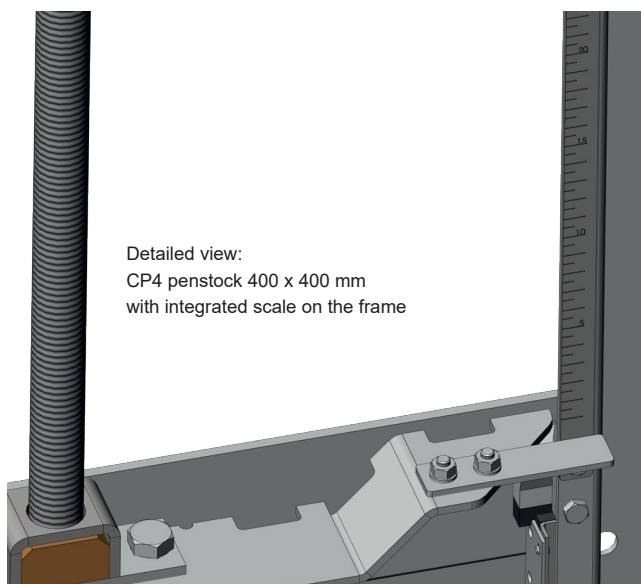
for position indication for penstocks with non-rising spindle

### Suitable for

- BÜSCH penstock with non-rising spindle:
  - SAFOX penstock
  - XL4 penstock
  - CP4 penstock
  - XL3 channel penstock
  - CP3 channel penstock
  - XM4 penstock
  - Double gate penstock
- BÜSCH MAS actuator packages with non-rising spindle, mounted on a bracket headstock or directly on the structure:
  - Actuation package 11
  - Actuation package 13
  - Actuation package 17
  - Actuation package 18
  - Actuation package 23
- For penstocks with a non-rising spindle, headstocks with integrated position indicator and SENTINEL position indicators are also available



CP4 penstock 400 x 400 mm  
with integrated scale on the frame



Detailed view:  
CP4 penstock 400 x 400 mm  
with integrated scale on the frame



### YOUR ADVANTAGES

- **PRECISE POSITION INDICATION**  
Direct on-site reading of open, closed and intermediate positions
- **DIRECT POSITION DISPLAY**  
No conversion based on turns or spindle pitch required
- **DURABLE AND CORROSION-RESISTANT**  
Robust design for a long-lasting solution, as an alternative to adhesive scales