



Flap valve

made of stainless steel or steel

Flap valve WITH CIRCULAR OR RECTANGULAR OPENING,
SEALED ALL-ROUND

Opening size and pressure level

- DN 100 to 2000
- Dimensions 150 x 150 mm up to 3000 x 3000 mm
- Selectable pressure level on the front: 2-10 mwc

Cover

- Straight Flap valve (standard) reinforced by sheet metal ribs according to static requirements
- All welded stainless steel parts with perfect corrosion protection from our own pickling plant
- Steel parts coated 320 µm
- Replaceable wearing parts and seal (EPDM/NBR)

Materials

- Stainless steel 1.4301 (304) / 1.4404 (316L) / 1.4410 (507) / 1.4462 (318LN)
- Steel 1.0038 (S235JR) coated 320 µm

Tightness class

- Leakage rate to DIN 19569, Part 4, Table 1:
Pressure at front: 0.05 to 0.1 l · s⁻¹ · m⁻¹ (tightness class 3)
- Pressure-tight from 1.5 times DN

Mounting options

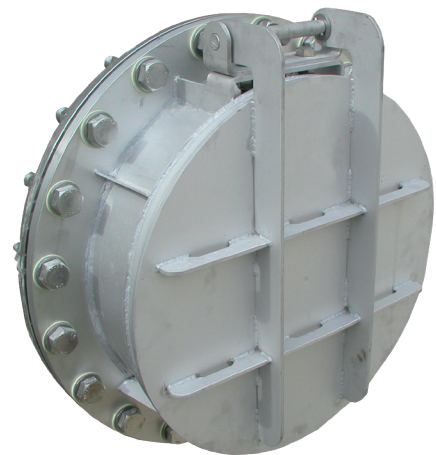
- Dowelling into the structure
- Casting in concrete
- Mounted on a pipe flange with hole pattern PN10
Optional: Other hole pattern possible

Scope of supply

- Flap valve complete with all required fastening elements (dowels and sealing material)

Variants

- Flat cover at the outside water level below the pipe base
- Flat cover with counterweight at low drainage pressure
- Flap valve with counterweight
- Sloping cover
- With shock absorption
- Hollow flap for (continuous) closing pressure adjustment
- Flap valve with damping unit for installation in pump pressure lines

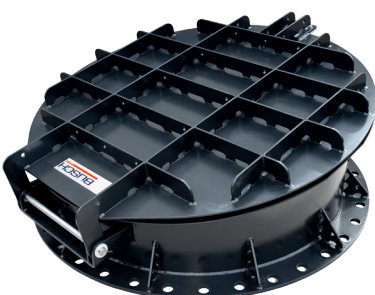


Flap valve for flange mounting

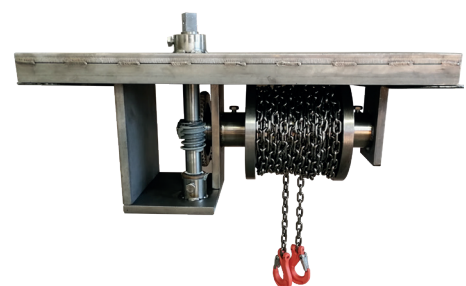
i

YOUR ADVANTAGES

- **VERSATILE**
Soft-sealing backflow flap as a backflow preventer, for drainage and flood protection
- **INDIVIDUAL**
Each Flap valve is available with different cover designs
- **FACTORY CERTIFICATE**
Flap valve including factory certificate according to DIN EN 10204, 2.1, with indication of the leakage rate according to DIN 19569, part 4
- **PERFECT CORROSION PROTECTION**
All welded stainless steel parts from our own pickling plant



Flap valve DN 1400 made of steel 1.0038 coated, variant with slanted cover and shock absorber.



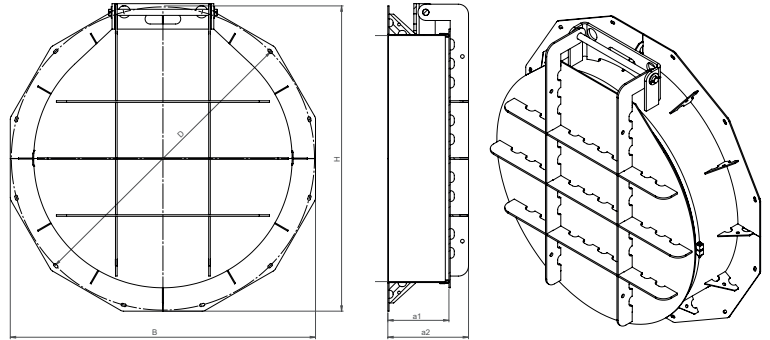
Lifting device for flap valves for dowelling under the ceiling.



Tables and dimensional drawings

Flap valve for dowelling

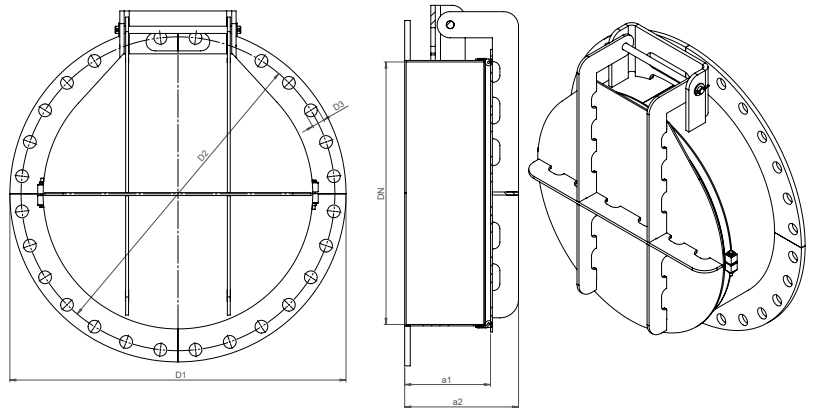
Diameter DN	B	H	a1	a2	D (Ø)	Dowel	Number of mounting holes
80	180	180			200	M 10x130	4
100	220	220	77	100	260		
125	240	240			290		
150	275	275	82	115	315		
200	275	275			315		8
250	385	385	97	140	435		
300	475	475			460		
400	550	550	157	212	540		
500	750	750			740		12
600	850	850			840		
700	950	950	227	302	940		
800	1050	1050	293	389	1040		
900	1200	1200			1175		
1000	1265	1265			1250		
1200	1500	1500	300	396	1490		



Dimensional drawing: Flap valve for dowelling

Flap valve for screwing at the flange

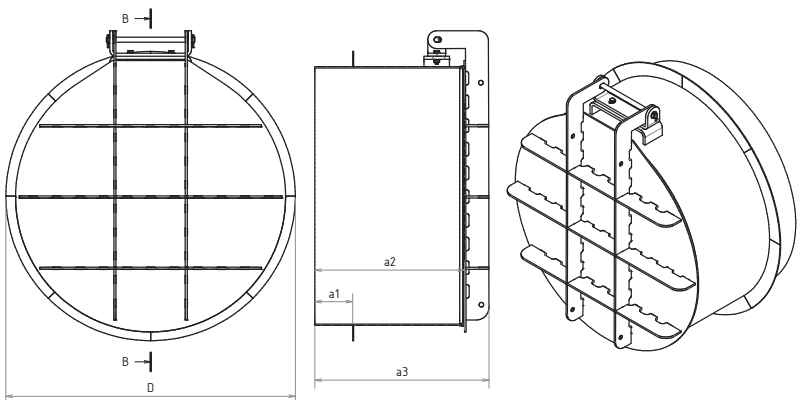
Diameter DN	D1 (Ø)	D2 (Ø)	D3 (Ø)	Thread	a1	a2	Number of holes
80	200	160		M16	80	103	8
100	220	180	18		85	118	
125	250	210		M20	100	143	
150	285	240	22		160	215	
200	340	295		M24	157	212	16
250	395	350	26		160	215	
300	445	400		M27	219	293	20
400	565	515	30		220	295	
500	670	620		M30	289	385	24
600	780	725	33		289	385	
700	895	840		M33	302	398	28
800	1015	950	36		302	398	
900	1115	1050		M36			32
1000	1230	1160	39				
1200	1455	1380					



Dimensional drawing: Flap valve for screwing at the flange

Flap valve for installation in the wall

Diameter DN	D (Ø)	a1	a2	a3	Thickness of the wall	
80	150	125	350	379	250	
100	170			389		
125	200			395		434
150	240			430		479
200	300	438	490	300		
250	350		498			
300	425		578			
400	484	150	518		578	
500	608			599		
600	710	580		661		
700	810			680		
800	914			682		
900	1014			681		
1000	1136					
1200	1340					



Dimensional drawing: Flap valve for installation in the wall

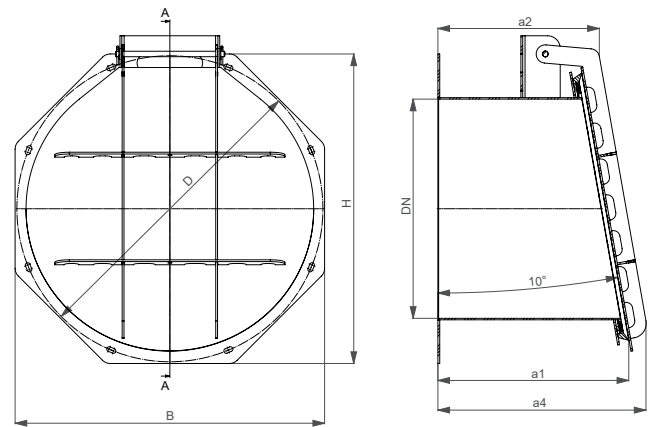
All dimensions in mm, dimensions and weights larger than DN 1200 on request.
Dimensions and weights for special shapes on request. All details are guideline values and may vary depending on the pressure level, fastenings and space.



Tables and dimensional drawings

with bevel seat for dowelling

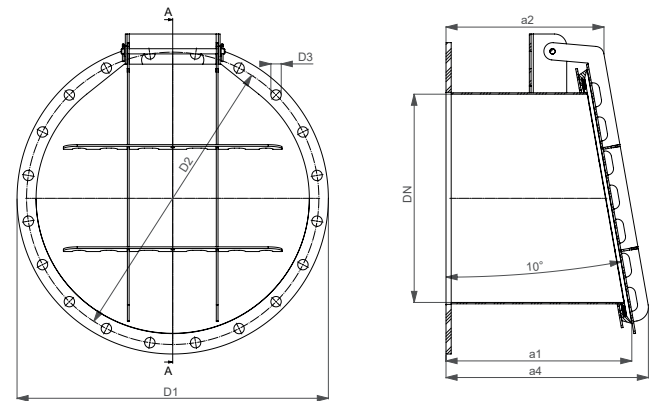
Dia-meter DN	B	H	a1	a2	a4	D (Ø)	Dowel	Number of mounting holes
80	180	180				200	M 10x130	4
100	220	220	181	100	228	260		
125	240	240				290		
150	275	275	196	115	243	315		
200	275	275				315		8
250	385	385	221	140	268	435		
300	475	475				460		
400	550	550	293	212	340	540		
500	750	750				740		12
600	850	850				840		
700	950	950	383	302	430	940		
800	1050	1050				1040		
900	1200	1200	470	389	517	1175		
1000	1265	1265				1250		
1200	1500	1500	477	396	524	1490		



Flap valve with bevel seat for dowelling

with bevel seat for screwing at the flange

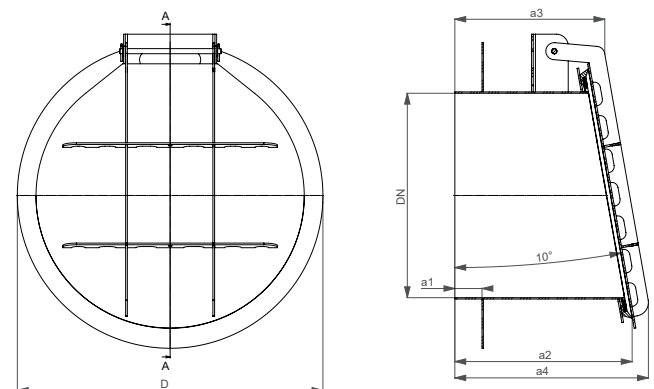
Dia-meter DN	D1 (Ø)	D2 (Ø)	D3 (Ø)	a1	a2	a4	Thread	Number of holes
80	200	160					M16	8
100	220	180	18	189	103	231		
125	250	210				113	241	
150	285	240		199	118	246	M20	
200	340	295	22	244	143	271		
250	395	350		296	215	343	M24	12
300	445	400	26	293	212	340		
400	565	515		296	215	343	M27	16
500	670	620	30	374	293	421		
600	780	725		376	295	423	M30	20
700	895	840	33	466	385	513		
800	1015	950		466	385	513	M33	24
900	1115	1050	36	479	398	526		
1000	1230	1160		479	398	526	M36	28
1200	1455	1380	39					



Flap valve with bevel seat for screwing at the flange

with bevel seat for installation in the wall

Dia-meter DN	D (Ø)	a1	a2	a3	a4	Thickness of the wall
80	150					250
100	170		350	379	507	
125	200			389	517	
150	240		395	434	562	
200	300			469	597	
250	350		430	479	607	
300	425			490	618	300
400	484		438	498	626	
500	608			578	706	
600	710		518	578	706	
700	810			599	727	
800	914		580	661	789	
900	1014			680	808	300
1000	1136			682	810	
1200	1340			681	809	



Flap valve with bevel seat for for installation in the wall

All dimensions in mm, dimensions and weights larger than DN 1200 on request. Dimensions and weights for special shapes on request. All details are guideline values and may vary depending on the pressure level, fastenings and space.