

Operating key Standard and KOMBI

made of hot-dip galvanised steel

FOR OPERATING UNDERFLOOR INSTALLED VALVES

Operating key Standard

Connection

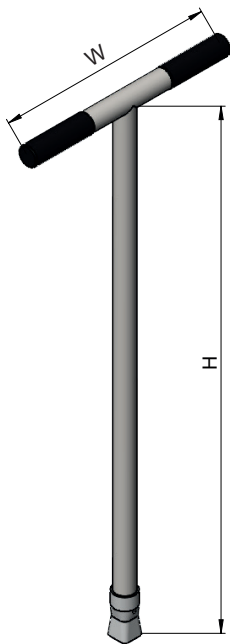
- Square 27 mm

Material

- Steel 1.0038 (S235JR/A36) hot-dip galvanised

Dimensions and Operating torque

- see table



Operating key Standard with coupling sleeve

Operating key KOMBI

Connections

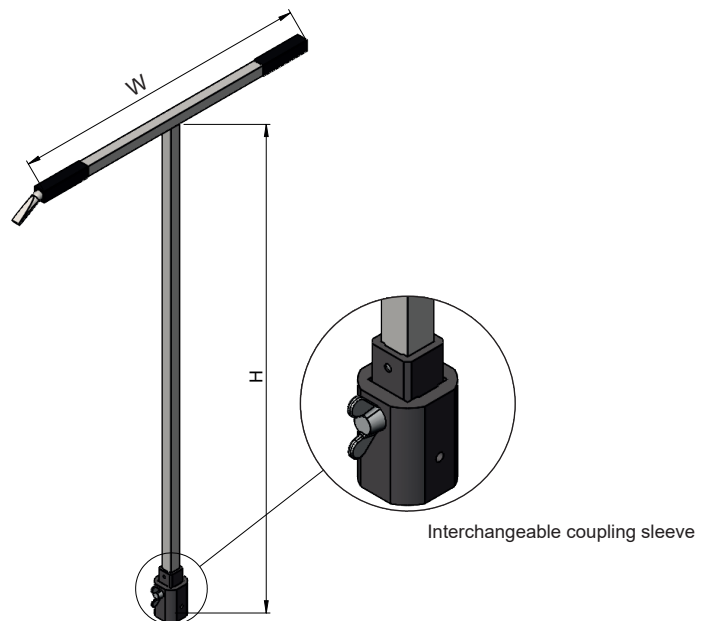
- Square 12 mm
- Square 27 mm

Material

- Steel 1.0038 (S235JR/A36) hot-dip galvanised

Dimensions and Operating torque

- W x H 600 x 950 mm – 50 Nm



Operating key KOMBI with interchangeable coupling sleeve

Operating key Standard (mm)

Width (W) Height (H) Operating torque (Nm)

Width (W)	Height (H)	Operating torque (Nm)
250	1000	60
400	1000	120
800	1000	200
800	1200	200
400	1400	120
250	1500	60
400	1500	120
800	1500	200
250	2000	60

YOUR ADVANTAGES

- **FLEXIBLE USE**
Tool-free replacement of house connection to section valve coupling sleeve (KOMBI)
- **EASY OPENING OF SURFACE BOXES**
Thanks to a practical hook (optional with standard operating key)
- **WORK SAFELY**
Due to rubberized handles

Operating key 80 Nm/130 Nm

made of hot-dip galvanised steel

FOR OPERATING UNDERFLOOR INSTALLED VALVES

Operating key according to DIN 3223 E

Connection

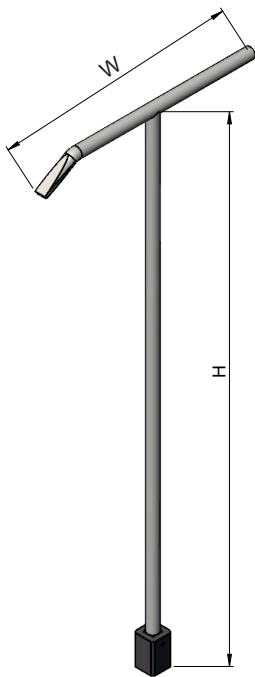
- Square 12 mm

Material

- Steel 1.0038 (S235JR/A36) hot-dip galvanised

Dimensions and Operating torque

- W x H 320 x 750 mm – 80 Nm



Operating key according to DIN 3223 E – 80 Nm

Operating key

Connection

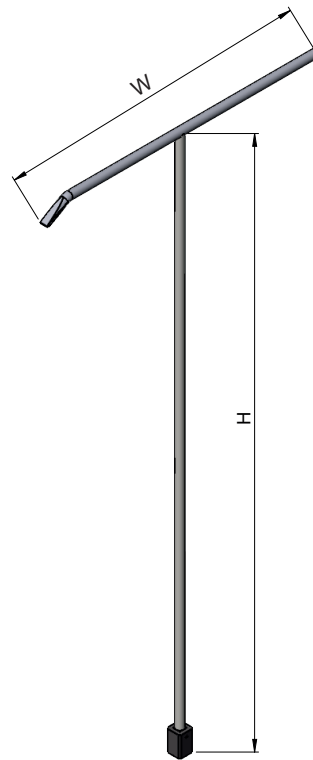
- Square 12 mm

Material

- Steel 1.0038 (S235JR/A36) hot-dip galvanised

Dimensions and Operating torque

- W x H 600 x 1200 mm – 130 Nm



Operating key – 130 Nm

i

YOUR ADVANTAGES

- EASY OPENING OF STREET CAPS
Through practical hooks

2026-03-09-en

Operating key 100 Nm/200 Nm

made of hot-dip galvanised steel

FOR OPERATING UNDERFLOOR INSTALLED VALVES

Operating key according DIN 3223 C

Connection

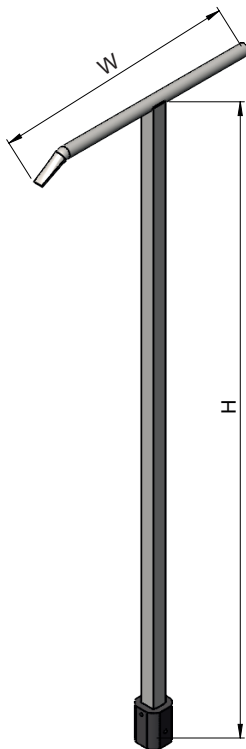
- Square 27 mm

Material

- Steel 1.0038 (S235JR/A36) hot-dip galvanised

Dimensions and Operating torque

- W x H 420 x 1100 mm – 100 Nm
- W x H 420 x 1300 mm – 100 Nm



Operating key according DIN 3223 C – 100 Nm

Operating key

Connection

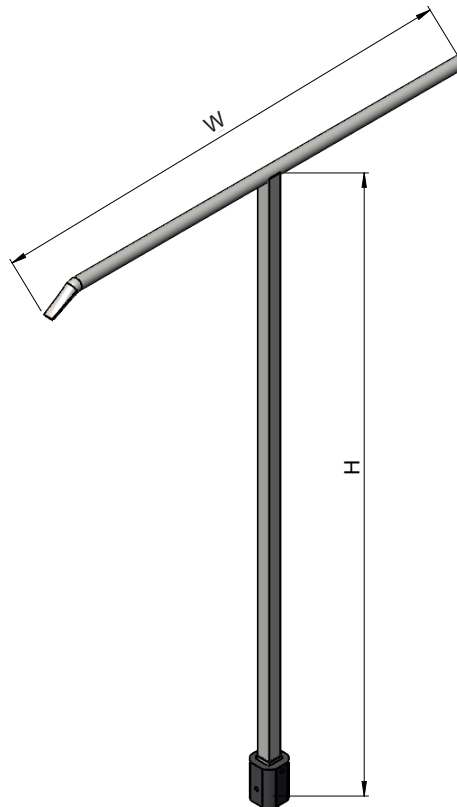
- Square 27 mm

Material

- Steel 1.0038 (S235JR/A36) hot-dip galvanised

Dimensions and Operating torque

- W x H 800 x 1000 mm – 200 Nm



Operating key – 200 Nm

i

YOUR ADVANTAGES

- EASY OPENING OF STREET CAPS
Through practical hooks

2026-03-09-en