



## Request form - Telescopic valve

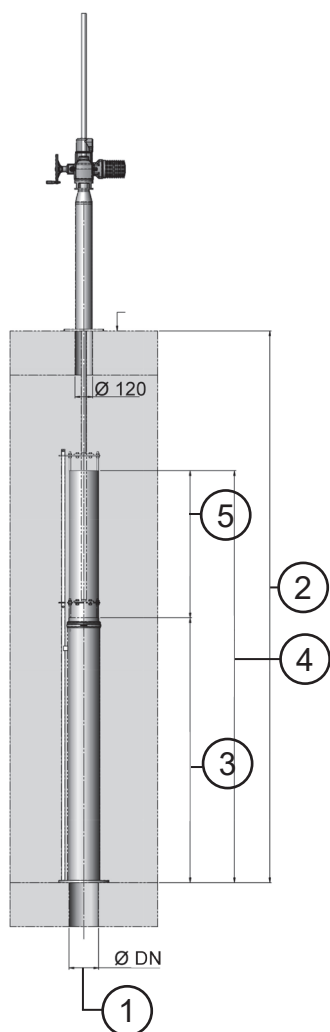
Customer: \_\_\_\_\_

Address: \_\_\_\_\_

Project: \_\_\_\_\_

Quantity of valves: \_\_\_\_\_

### 1. Dimensions



1) Connection size (DN): \_\_\_\_\_

2) Installation depth: \_\_\_\_\_

3) Min. water level: \_\_\_\_\_

4) Max. water level: \_\_\_\_\_

5) Adjustment range: \_\_\_\_\_

= 4) max. water level minus 3) min. water level

Stand pipe

without bellmouth

with bellmouth



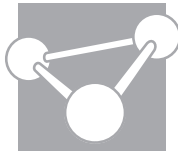
### 2. Material

**Telescopic valve:**

- Stainless steel 1.4301 (304)
- Stainless steel 1.4404 (316L)
- Stainless steel 1.4410 (A182 F53)
- Stainless steel 1.4462 (A182 F51)
- Other materials valve: \_\_\_\_\_

**Sealing:**

- EPDM       NBR
- Other: \_\_\_\_\_



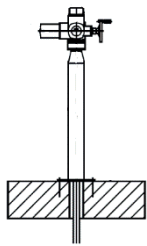
### 3. Installation variant stand pipe

Dowelling on concrete floor

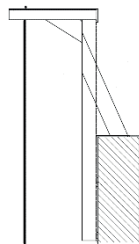
Flange mounted PN10

Flange mounted PN16

### 4. Place of actuation



Concrete ceiling

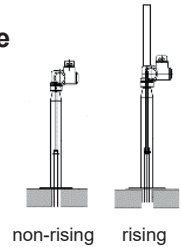


Edge of basin

### Spindle and spindle cover tube

Non-rising

Rising



non-rising rising

### Spindle protection tube (only for rising spindle)

Stainless steel

transparent

Steel galvanised (only possible in combination with actuator or gearbox)

### 5. Actuation

Manual:



Square cap, square: \_\_\_\_\_ mm



Handwheel

Pinion Jack



Electric:

Available voltage: \_\_\_\_\_ V, no. of phasis: \_\_\_\_\_

Max. available electric power: \_\_\_\_\_ kW

Pneumatic: available operating pressure: \_\_\_\_\_ bar

Hydraulic: max. available operating pressure: \_\_\_\_\_ bar

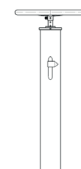
Display of valves position:

Headstock with integr. pointer

SENTINEL position indicator



SENTINEL position indicator



Headstock with integrated pointer

Remarks:

Phone-No. / e-mail (for inquiry calls):