

## Lubrication

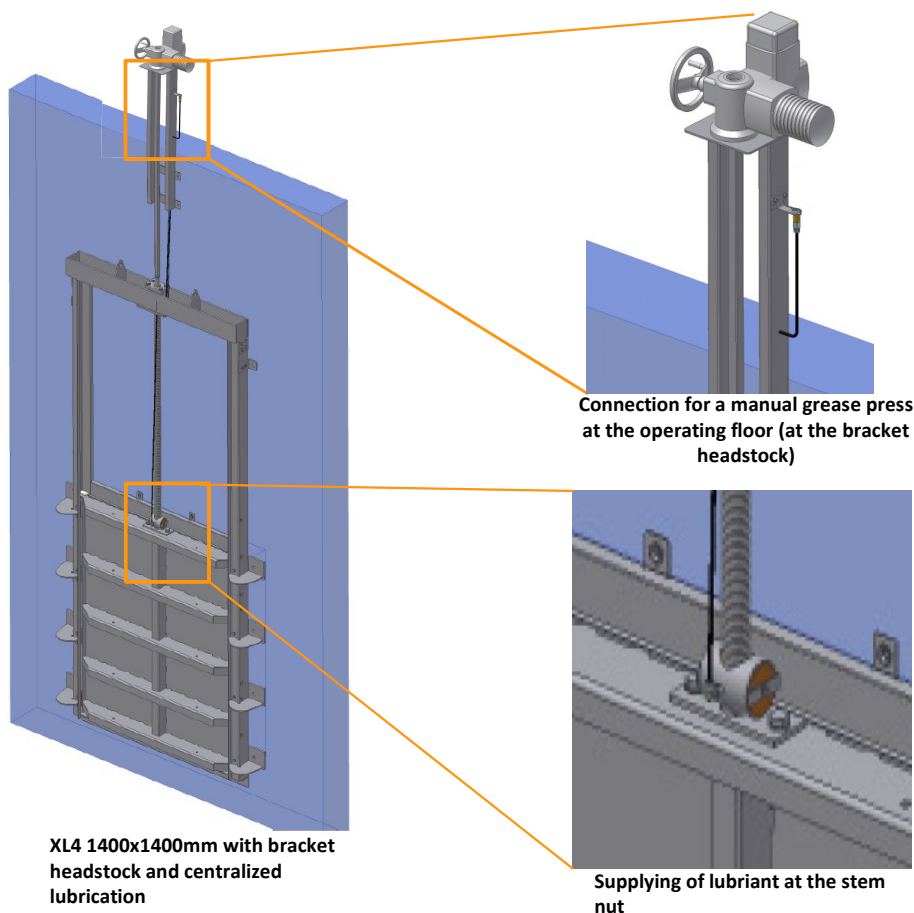
The lifetime of bearings and threads can be extended by regular lubrication. Furthermore regular lubrication will reduce the friction and resultingly the driving torques will be lowered. An easier operation and possible smaller actuators are the positive impact of regular lubrication.

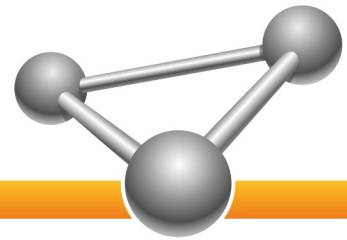
BÜSCH Technology offers two different alternatives for penstock lubrication: a centralized and a decentralised version.

The centralized lubrication provides the lubricant at an easy accessible point near the operating floor and the grease will lead via hoses to the critical point of lubrication. The advantage is the easy to handle lubricant supply of the system with a manually grease press.

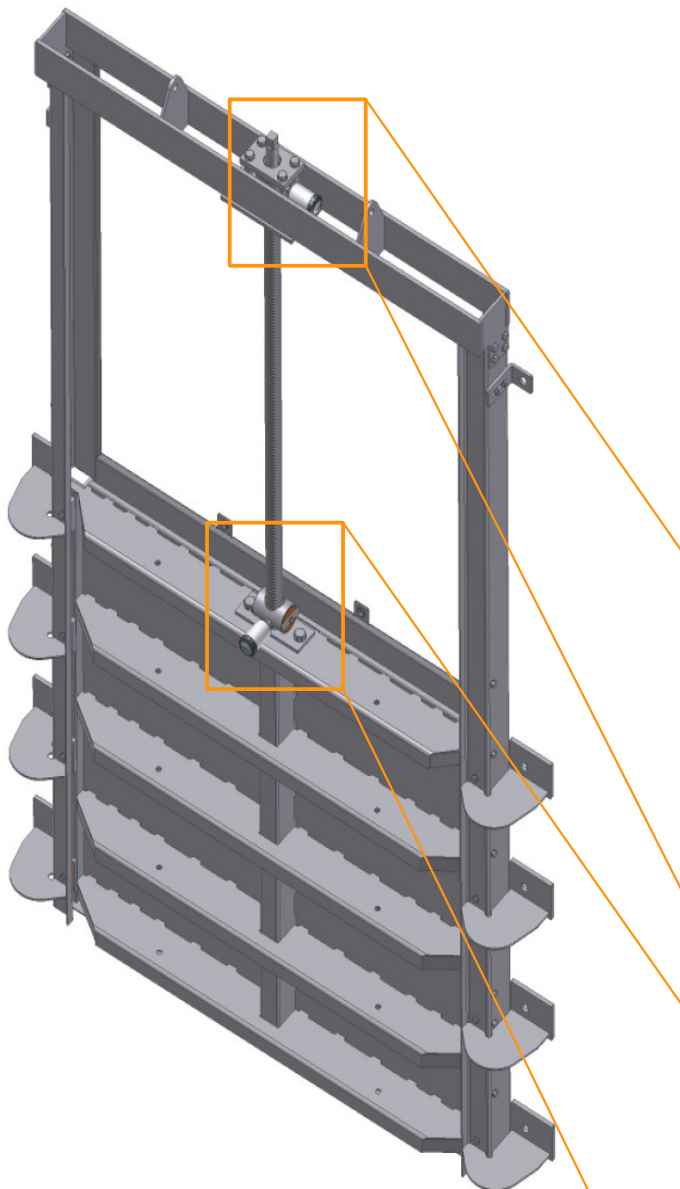
In case of the decentralised lubrication system the parts to grease are equipped with lubricant cartridges. These cartridges are mounted directly at the bearings, stem nuts and other parts. The advantage of this solution is the possibility of using different lubricates for different parts, for example, if the stem nut is overflowed permanently.

### Examples of centralized lubrication

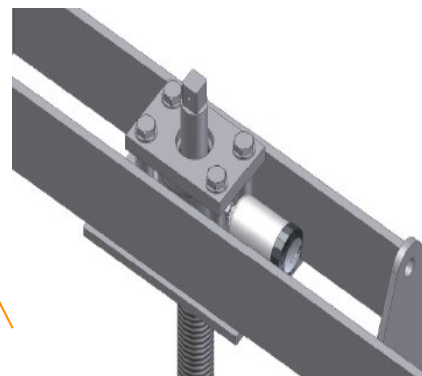




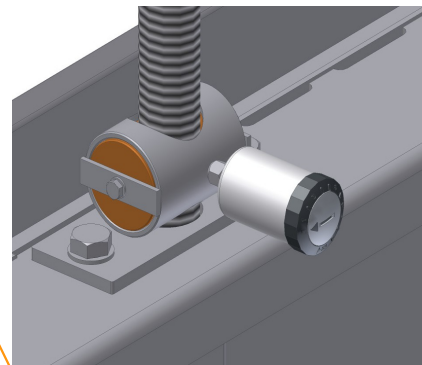
**Example of decentralized lubrication.**



**Grease-cartridge at the bearing of a penstock with rising spindle**



**Grease-cartridge at the spindle bearing**



**Grease-cartridge at the stem nut**

**XL4 1600x1600mm with decentralized lubrication of the bearing and stem nut**

Any questions regarding  
lubrication of your penstock?  
info@buesch.com  
Tel: +49 (911) 46254-0