

Telescopic valve

Up to DN 600

Product information

Sealing performance

- Very good sealing performance, leakage rate better than DIN EN 19569-4
- Wastewater resistant sealing material

Installation advantages

- Quick and easy to mount on an on-site flange
- No additional adjustment work necessary during installation

User advantages

- Quick and exact adjustment of the water level
- Maintenance free
- Sealing changeable
- Permanent process reliability due to the good performance

Corrosion resistance

- Maximum corrosion resistance due to stainless steel material, all acid cleaned and passivated in own pickling plant

Operation

- Manual operation with stem-cap and T-key, hand wheel or electric actuator and a variety of extensions, rising and non-rising spindle: see BÜSCH MAS programme

Accessories

- MAS Modular Actuating System packages: see BÜSCH MAS programme
- MOBITORQ Mobile Actuator: see brochure
- Operating key: e.g. All-in-One operating key

Areas of application

- Chemical industry
- Rain storage reservoirs
- Sewage treatment plants

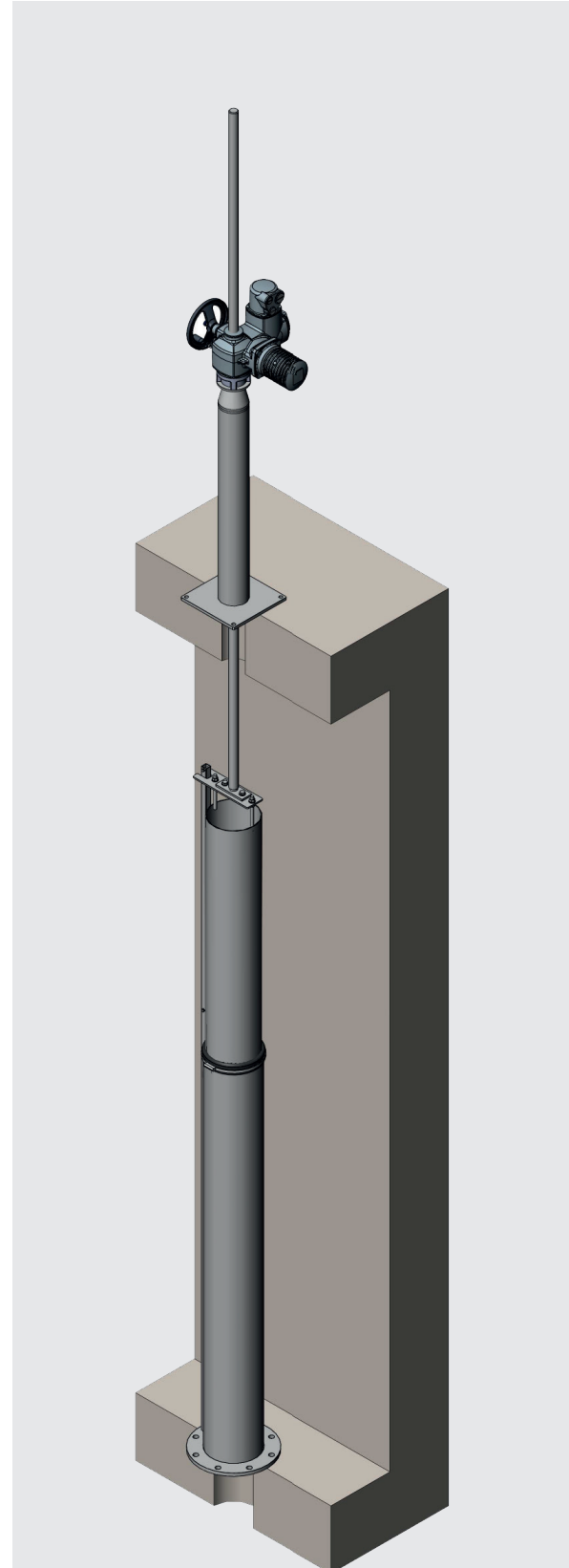
Materials

Pipes: Stainless steel 304/316Ti or steel St.37,
hdg or epoxy coated

Sealing: EPDM, wastewater resistant or NBR

Anchor rods: Stainless steel S32304

Other materials available on request.



Telescopic valve

Up to DN 600

