



Rotary weirs

made of stainless steel

DOWNWARD SWINGING FLAP, FOUR-SIDED SEALING

Nominal size

- max. 4000 mm x 300 mm (other sizes available on request)

Control

- front
- back

Sealing

Control front side

- Note profile seal in the frame
- Stainless steel fixed hinge

Control rear side

- Double lip profile seal on flap side made of waste water and UV resistant EPDM
- Hinge made of EXTRA EPDM gasket to prevent filter sand washout

Regardless of the type of control

- Additional EPDM flat seal to the side walls to prevent filter sand washout
- Seal and wear parts replaceable

Material

- Stainless steel 1.4301 (304) / 1.4404 (316L) / 1.4410 (507) / 1.4462 (318LN) / 1.4539 (904L)

Leak tightness class

- Leakage better than tightness class 4 according to DIN EN 19569, part 4, table 1: Max. 1 % of $0,05 \text{ l} \cdot \text{s}^{-1} \cdot \text{m}^1$ (for water pressure on the flap side)

Mounting types

- Frame for setting in concrete
- Frame for dowelling to the smooth building wall

Operate

Control front side

- Stem pipe on the flap side

Control rear side

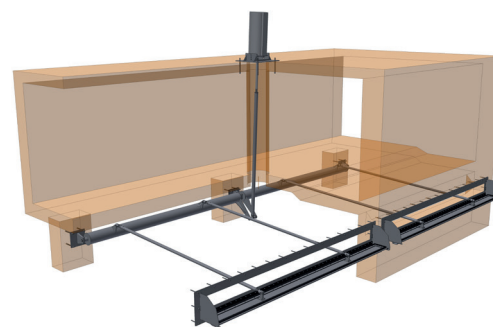
- by means of stem pipe via rear-mounted deflection shaft(s)
- all mechanical bearings made of bronze and outside the medium

Scope of delivery

- Flap complete with all necessary fasteners and sealing material

Actuation

- E-Actuator, pneumatic actuation or hydraulic actuation mounted on swivel bracket stand. Optional: With BÜSCH weather protection roof
- Optional: BÜSCH BEA[®]servo stainless steel electric actuator
- BÜSCH MOBITORQ electric or accu mobile actuators via square stem cap



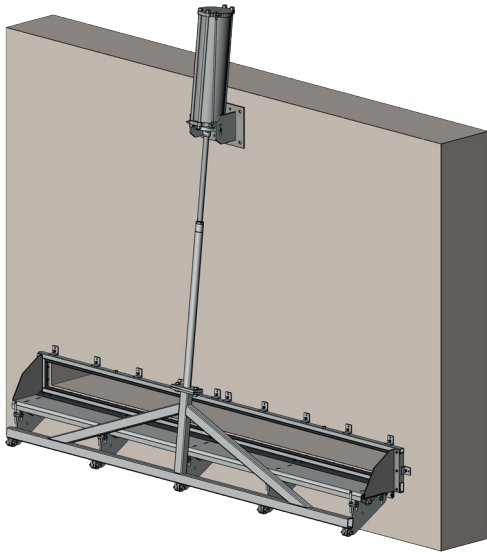
Double flap with rear control



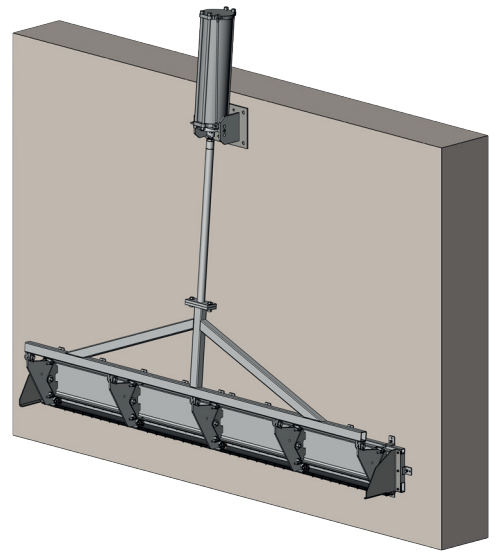
YOUR ADVANTAGES

- **QUICK & SAFE EMPTYING**
e.g. of filter basins - no rinsing of the filter sand due to the additional BÜSCH seal of the side wall and the flap hinges
- **WATER PRESSURE INDEPENDENT SEALING PERFORMANCE**
Tight even at low operating pressure due to the additional EXTRA seal
- **IMMEDIATELY READY FOR USE**
Rotary weir is supplied complete with all necessary fastening elements (dowels & sealing material)
- **APPLICATIONS**
Rotary weirs can be controlled from the front or rear, inside or outside the medium, with one or two actuators
- **FACTORY CERTIFICATE OPTIONAL**
On request, factory certificate according to DIN EN 10204, 2.1, with indication of leakage rate according to DIN 19569, part 4
- **EASIEST ASSEMBLY**
Controlled from the front: directly on the building formwork. Controlled from the rear: drilling templates included
- **PERFECT CORROSION PROTECTION**
All welded stainless steel parts from our own pickling plant

CONTROL FRONT SIDE
DOWELLING TO THE WALL

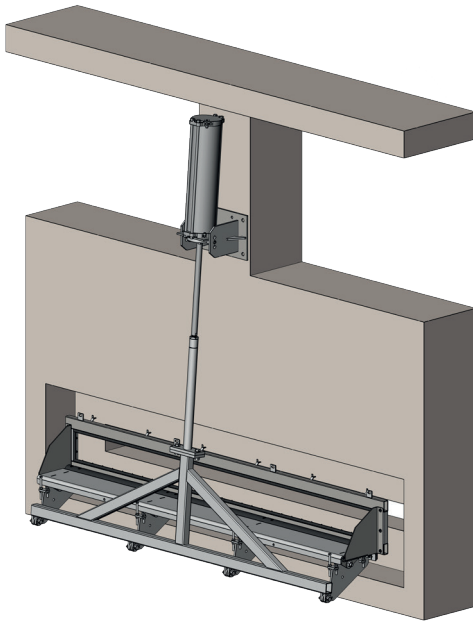


Single flap with pneumatic cylinder in open position

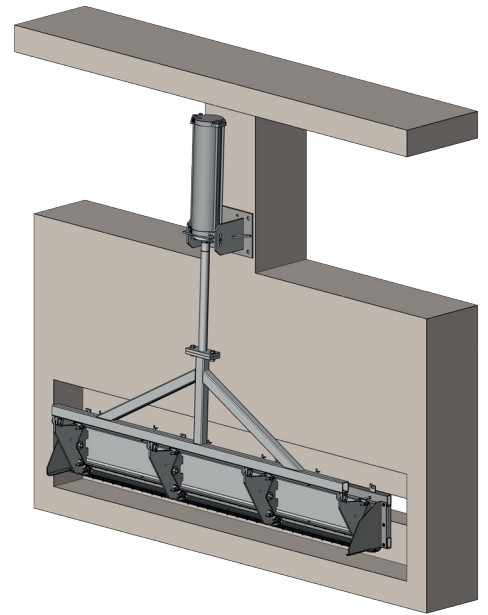


Single flap with pneumatic cylinder in closed position

CASTING INTO THE BUILDING WALL



Single flap with pneumatic cylinder in open position



Single flap with pneumatic cylinder in closed position

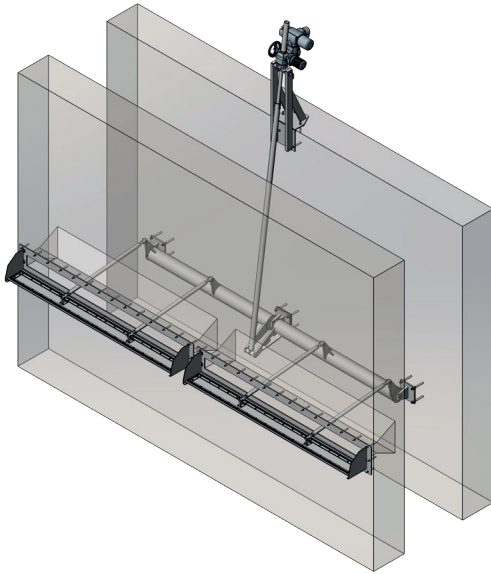


Rotary weir with front control with pneumatic cylinder,
Switzerland

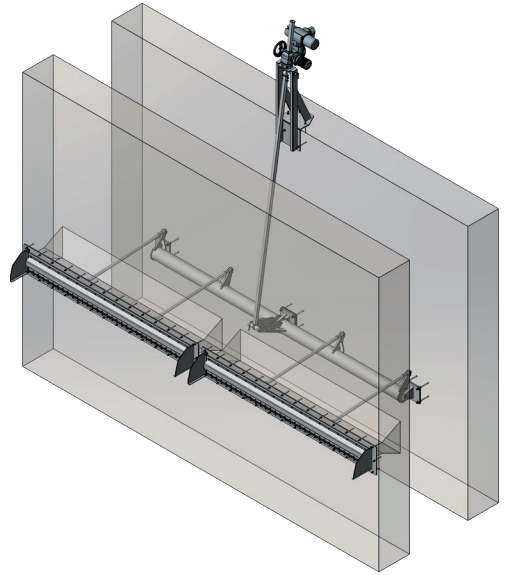


Double rotary weir with front control with electric drive.
Wastewater treatment plant, Germany

CONTROL BACK (outside the medium)
DOWELLING TO OPPOSITE WALL

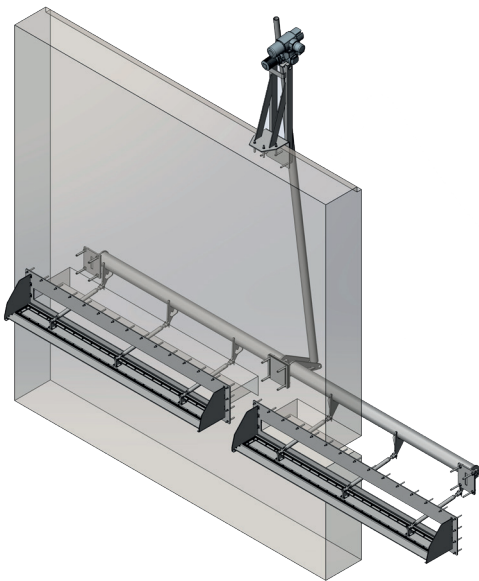


Double flap with electric actuator in open position

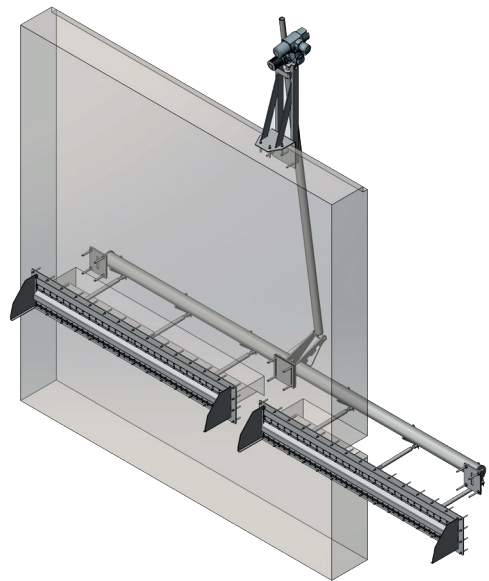


Double flap with electric actuator in closed position

DOWELLING ON THE SAME WALL

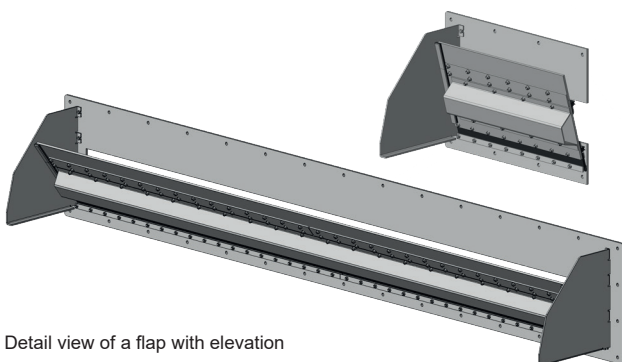


Double flap with electric actuator in open position



Double flap with electric actuator in closed position

FLAP INCREASE FOR REAR CONTROL



Detail view of a flap with elevation

SPECIAL FEATURES

- **FLAP ELEVATION**
for a subsequent increase in the overlap height of the flaps

