

Stop log storage systems

Made of stainless steel or hot-dip galvanized steel

INDIVIDUALLY TAILORED TO THE DIMENSIONS OF THE STOP LOGS

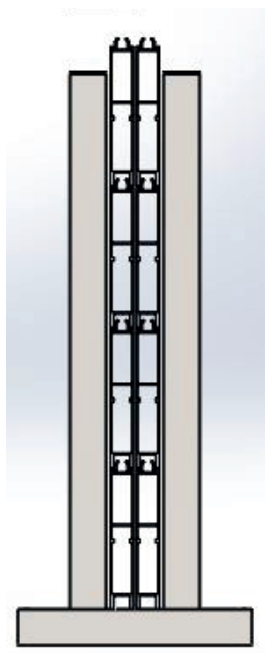
Versions

- Wall mounting
- Floor mounting
- Mobile with wheels

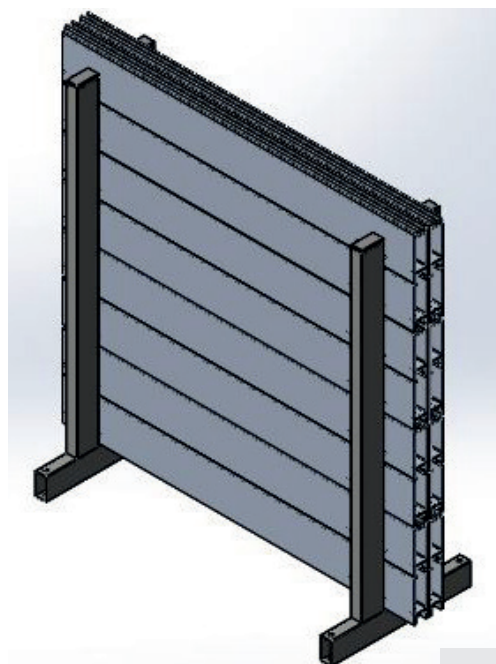
Optional

- With lid or cover to protect against the weather
- With additional space for lifting tools
- Lockable to prevent theft/vandalism

Standard version for doweling to the floor



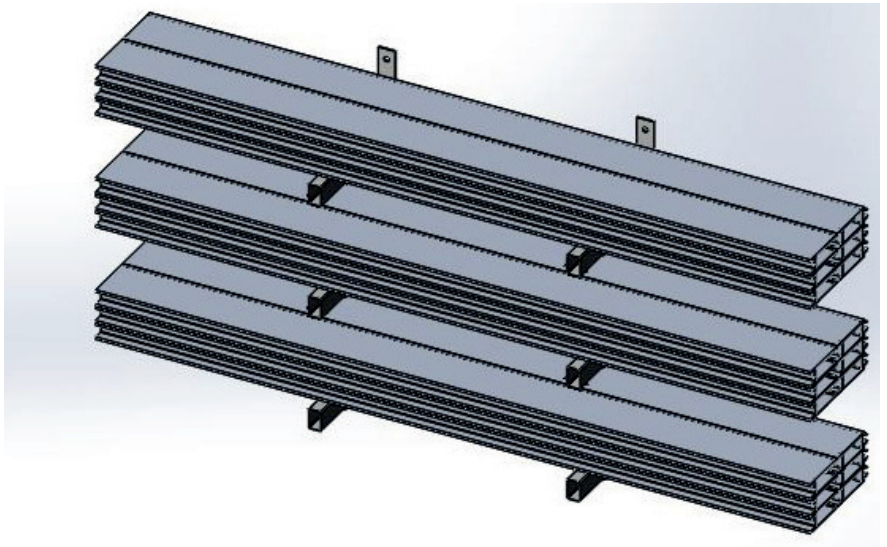
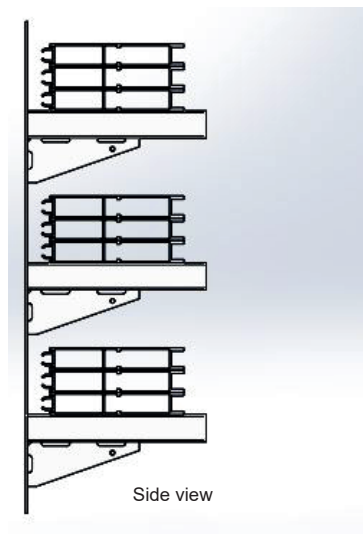
Side view



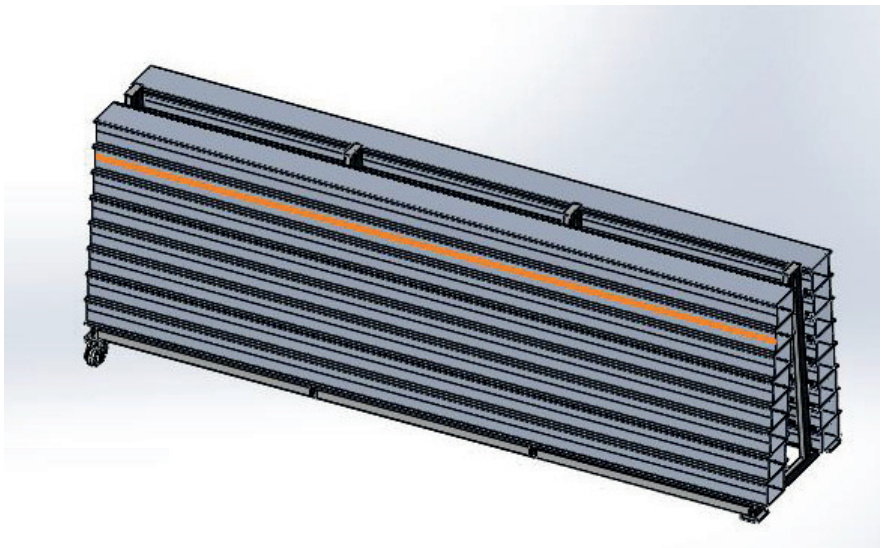
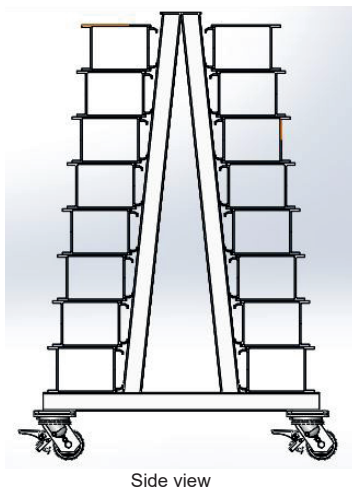
YOUR ADVANTAGES

- **FAST AVAILABILITY**
Depending on the design and requirements, the stop logs are available for rapid deployment at any time
- **SPACE-SAVING STORAGE**
The individual design of the storage systems adapts to your storage conditions and requirements
- **PERFECT CORROSION PROTECTION**
All welded stainless steel parts from our own pickling plant

Version for doweling to the wall



Mobile version with wheels



Mobile version with feet - suitable for forklift trucks

